

LawnMaster

SAFETY AND OPERATING MANUAL



40V 4-in-1 BRUSH CUTTER KIT

LB4050002KIT

IMPORTANT

It is essential that you read the instructions in this manual before operating this machine. All notes and images are subject to technical modification.

READ FIRST BEFORE USE!

LAWNMASTER LITHIUM BATTERY INSTRUCTIONS

1. Battery must be fully charged before initial use.
2. Never let the battery discharge below two bars on the battery indicator light-discharging below two bars may cause damage to the battery.
3. Do not continue use if machine stops-fully recharge battery first if below two barindicator. If above the two bar minimum assess the tool for potential obstructions.
4. We recommend to fully recharge the battery immediately after every use. Allow the battery to cool for at least 15 minutes before recharging.
5. Do not store for a long period without fully recharging battery.
6. Check battery temperature. If above 38°C let battery rest and cool.

Lithium batteries do not need to be fully discharged before recharging.

SAFETY

GENERAL SAFETY WARNINGS

Failure to follow the warnings and instructions may result in electric shock, fire and/or serious injury.

Save all warnings and instructions for future reference.

TRIMMER

The product is designed for cutting grass and light weeds only in private garden areas.

The product is not intended or recommended for use in public gardens, parks, sports centers or at roadsides, for agricultural or forestry use. The product is not to be used for cutting or chopping hedges, shrubs, bushes, flowers or compost.

READ CAREFULLY BEFORE USE & KEEP FOR FUTURE REFERENCE

SAFE OPERATING PRACTICES

1. TRAINING

a) Read the instructions carefully. Be familiar with the controls and the correct use of the machine.

b) Never allow children, persons with reduced physical, sensory or mental capabilities or lack of experience and knowledge or people unfamiliar with these instructions to use the machine, local regulations may restrict the age of the operator.

c) Keep in mind that the operator or user is responsible for accidents or hazards occurring to other people or their property.

2. PREPARATION

a) Before use, always visually inspect the machine for damaged, missing or misplaced guards or shields.

b) Never operate the machine while people, especially children, or pets are nearby.

3. OPERATION

Wear eye protection, long trousers and stout shoes at all times while operating the machine. Avoid using the machine in bad weather conditions especially when there is a risk of lightning. Use the machine only in daylight or good artificial light.

Never operate the machine with damaged guards or shields or without guards or shields in place. Switch on the motor only when the hands and feet are away from the cutting means.

ALWAYS DISCONNECT THE MACHINE FROM THE BATTERY PACK

- Whenever the machine is left unattended;
- Before clearing a blockage;
- Before checking, cleaning or working on the machine;
- After striking a foreign object;
- Whenever the machine starts vibrating abnormally.

Take care against injury to feet and hands from the cutting means. Always ensure

that the ventilation openings are kept clear of debris. Never use saw blade.

Always be sure of your footing on slopes. Walk, never run.

Not overreach and keep the balance at all times.

Not to touch moving hazardous parts before the machine is disconnected from the mains and the moving hazardous parts have come to a complete stop.

4. MAINTENANCE AND STORAGE

a) Disconnect the machine from the battery pack before carrying out maintenance or cleaning work.

b) Use only the manufacturer's recommended replacement parts and accessories.

c) Inspect and maintain the machine regularly. Have the machine repaired only by an authorized repairer.

d) When not in use, store the machine out of the reach of children.

ADDITIONAL GENERAL SAFETY WARNINGS

WORK AREA SAFETY

1) Keep work area clean and well lit. Cluttered or dark areas invite accidents.

2) Do not operate power tools in areas which may ignite the dust or fumes atmospheres, such as in the presence of flammable liquids, gases or dust.

3) Power tools create sparks which may ignite the dust or fumes.

4) Keep children and bystanders away while operating control. a power tool. Distractions can cause you to lose control.

PERSONAL SAFETY

1) Stay alert, watch what you are doing and use common sense when operating a power tool. Do not use a power tool while you are tired or under the influence of drugs, alcohol or medication. A moment of inattention while operating power tools may result in serious personal injury.

2) Use personal protective equipment. Always wear eye protection. Protective equipment such as dust mask, non-skid safety shoes, hard hat, or hearing protection used for appropriate conditions will reduce personal injuries.

3) Prevent unintentional starting. Ensure the switch is in the off-position before connecting to power source and/or battery pack, picking up or carrying the tool. Carrying power tools with your finger on the

switch or energising power tools that have the switch, on invites accidents.

4) Remove any adjusting key or wrench before turning the power tool on. A wrench or a key left attached to a rotating part of the power tool may result in personal injury.

5) Do not overreach. Keep proper footing and balance at all times. This enables better control of the power tool in unexpected situations.

6) If devices are provided for the connection of dust extraction and collection facilities, ensure these are connected and properly used. Use of dust collection can reduce dust-related hazards.

SAFETY

- Your Brush Cutter is fitted with a harness. Carefully adjust the harness to fit comfortably and help to support the weight of the machine at your right side.
- Identify the Quick Release mechanism and practice using it BEFORE you start using the machine. It's correct use may prevent serious injury in the case of an emergency. Never wear additional clothing over the harness or otherwise restrict access to the quick release mechanism.
- For cutting ease and safety, approach the weeds being cut from the right to the left. In the event an unexpected object or woody stock is encountered, this practice could minimize the blade

thrust reaction. Both hands must be used at all times to control this product.

WARNING

Some regions have regulations that restrict the use of the product. Check with your local authority for advice.

TRANSPORTATION AND STORAGE

Stop the machine and allow it to cool before storing or transporting. Do not store or transport the machine with batteries fitted, remove and secure separately.

Clean all foreign material from the product. Store it in a cool dry and well ventilated place that is inaccessible to children. Keep away from corrosive agents such as garden chemicals and de-icing salts. Do not store outdoors.

For transportation, secure the machine against movement or falling to prevent injury to persons or damage to the machine.

BRUSH CUTTER MAINTENANCE

WARNING

Use only original manufacturer's replacement parts, accessories and attachments. Failure to do so can cause possible injury, poor performance and may



WARNING

Servicing requires extreme care and knowledge and should only be serviced by a qualified technician.

For service we suggest you return the product to your nearest authorized service center for repair. When servicing, use only identical replacement parts.

- You may make adjustments and repairs described here. For other repairs, contact the authorized service agent.
- Before any maintenance or adjustment, disable the machine by removing the power source.
- After extending new cutter line or cleaning, checking the blade, always return the product to its normal

INTENDED USE

The product is only intended for use outdoors. For safety reasons the product must be adequately controlled by using two handed operation.

The product is intended for cutting long grass, pulpy weed, or brush and similar vegetation at or about ground level. The cutting plane should be approximately parallel to the ground surface. The product should not be used to trim hedges, bushes or other vegetation where the cutting plane is not parallel to the ground surface.

RESIDUAL RISK

Even when the product is used as prescribed, it is still impossible to completely eliminate certain residual risk factors. The following hazards may arise in use and the operator should pay special attention to avoid the following:

- Injury caused by vibration. Always use the right tool for the job, use designated handles and restrict working time and exposure.
- Exposure to noise can cause hearing injury. Wear ear protection and limit exposure.
- Kickback can occur when using the brush cutter. Ensure proper control by using both hands on the designated handles.

Read and follow the directions elsewhere in this manual to help reduce the risk of kickback.

RISK REDUCTION

It has been reported that vibrations from hand-held tools may contribute to a condition called Raynaud's Syndrome in certain individuals. Symptoms may include tingling, upon exposure to cold. Hereditary factors, exposure to cold and dampness, diet, smoking and work practices are all thought to contribute to the development of these symptoms.

There are measures that can be taken by the operator to possibly reduce the effects of vibration:

- Keep your body warm in cold weather. When operating the unit wear gloves to keep the hands and wrists warm. It is reported that cold weather is a major factor contributing to Raynaud's Syndrome.
- After each period of operation, exercise to increase blood circulation.
- Take frequent work breaks. Limit the amount of exposure per day.
- If you experience any of the symptoms of this condition, immediately discontinue use and see your doctor about these symptoms.

 **WARNING**

Injuries may be caused, or aggravated, by prolonged use of a tool. When using any tool for prolonged periods, ensure you take regular breaks.

PRODUCT SPECIFICATIONS

Model: LB4050002KIT
 Voltage: 40V
 Cutting Line Diameter: 2.0 mm

Cutting Capacity
 Brush Cutter: 260mm

Cutting Capacity
 Line Trimmer: 330 mm

Pole Saw Chain: 3/8 X.043 LP
 39DL

A-Weighted Sound
 Pressure Level: 82dB(A)

A-Weighted Sound
 Power Level: 96dB(A)

Recommended Torque For
 Blade Retention: > 11 N.m

Recommended Torque For
 String Head Retention: > 6 N.m

BATTERY

Compatible battery - LB40B
 Compatible charger - LB40BCKT

Battery & Charger Included in
 LB4050002KIT



SAFETY ALERT



Read and understand all instructions before operating the product, follow all warnings and safety instructions.



Wear eye, ear and head protection.



Wear non-slip safety footwear when using the product.



Wear non-slip, heavy duty gloves.



Do not expose to rain or damp condition.



This unit is not intended for use with a toothed saw type blade. Rotational direction and maximum speed of the shaft for the cutting attachment.



All bystanders a safe distance away from the product.



Keep all bystanders, especially children and pets, at least 15m away from the operating area



Keep hands away from blades



Beware of blade thrust

Keep all bystanders, especially children and pets, at least 15m from the operating area.



Pull: Quick release tab



Waste electrical products should not be disposed of with household waste. Please recycle where facilities exist. Check with your local authority or retailer for recycling advice.



Conforms to all regulatory standards in the country in the EU where the product is purchased.



The guaranteed sound power level is shown on this label by 95 dB for Lawn Trimmer.

The following signal words and meanings are intended to explain the levels of risk associated with this product:



Indicates an imminently hazardous situation, which, if not avoided, will result in death or serious injury.



Indicates a potentially hazardous situation, which, if not avoided, could result in death or serious injury.

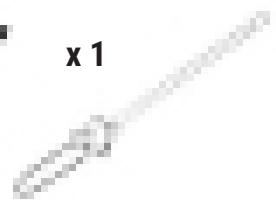
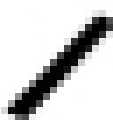
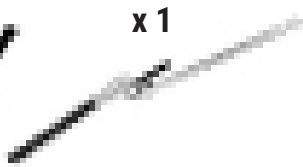
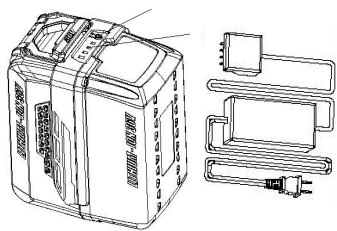
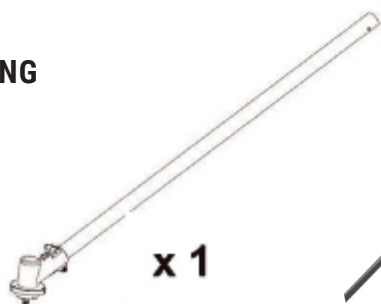


Indicates a potentially hazardous situation, which, if not avoided, may result in minor or moderate injury.



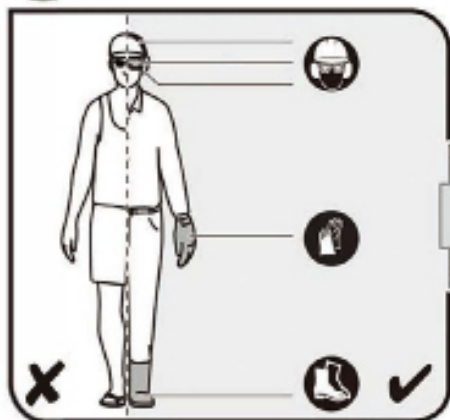
(Without Safety Alert Symbol) Indicates a situation that may result in property damage.

UNPACKING

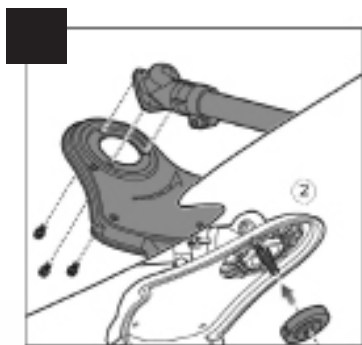
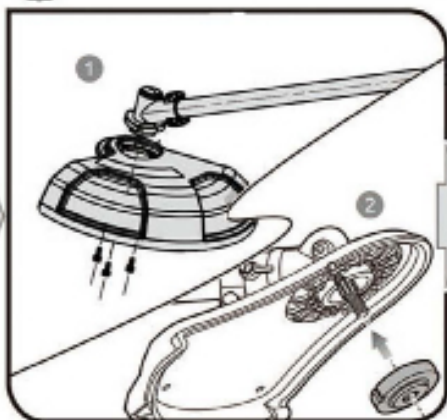


GETTING STARTED WITH THE BRUSH CUTTER

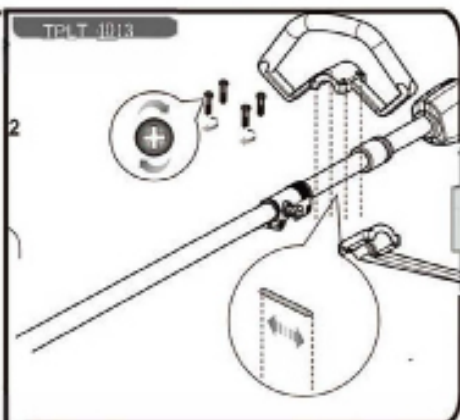
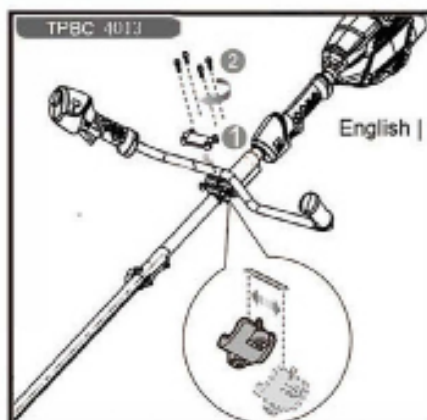
1



2

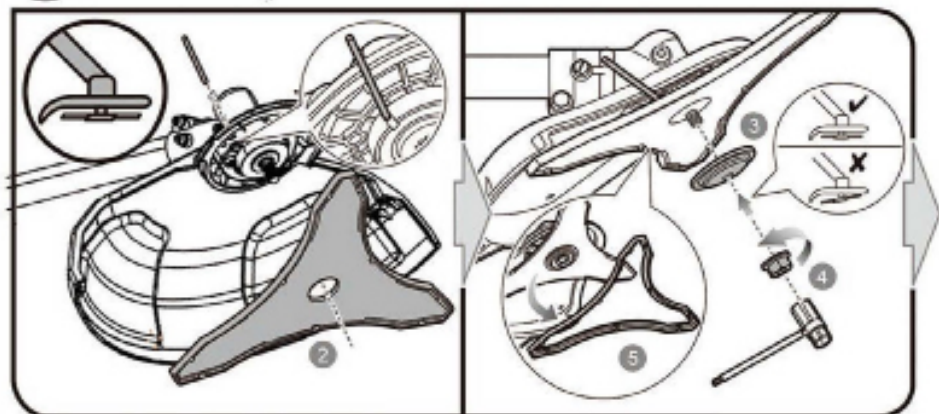


4

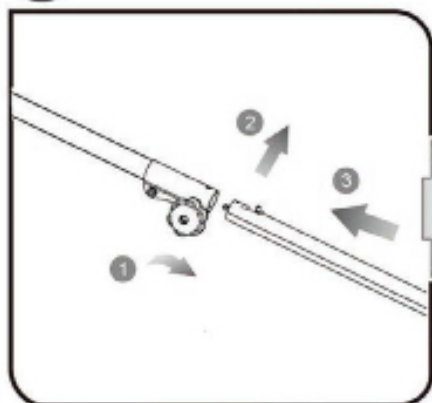


GETTING STARTED WITH THE BRUSH CUTTER

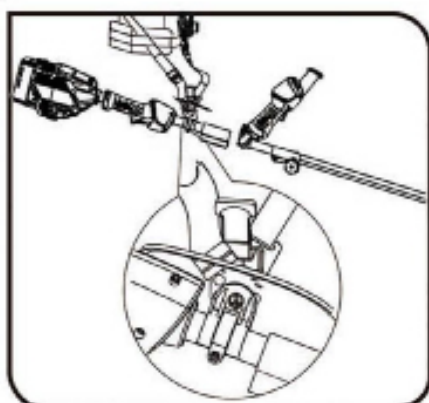
3a



5

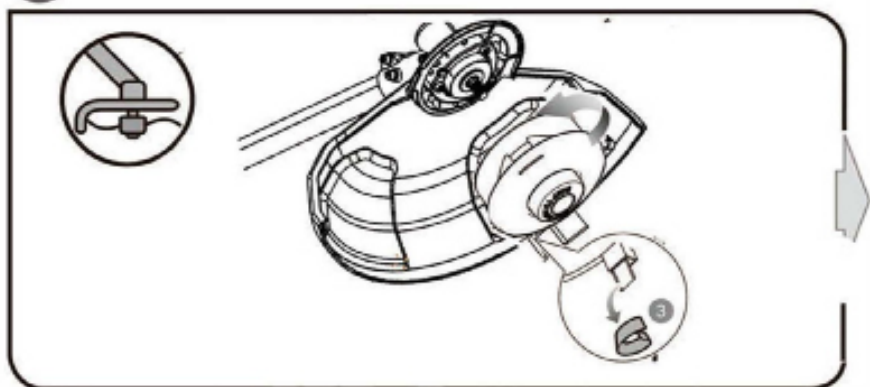


6



GETTING STARTED WITH THE BRUSH CUTTER

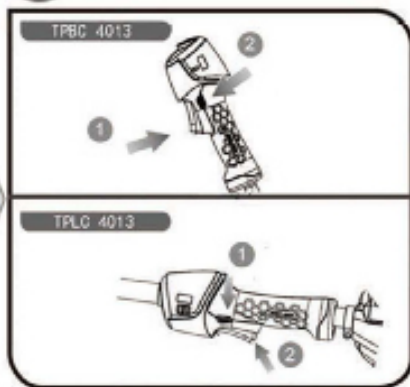
3b



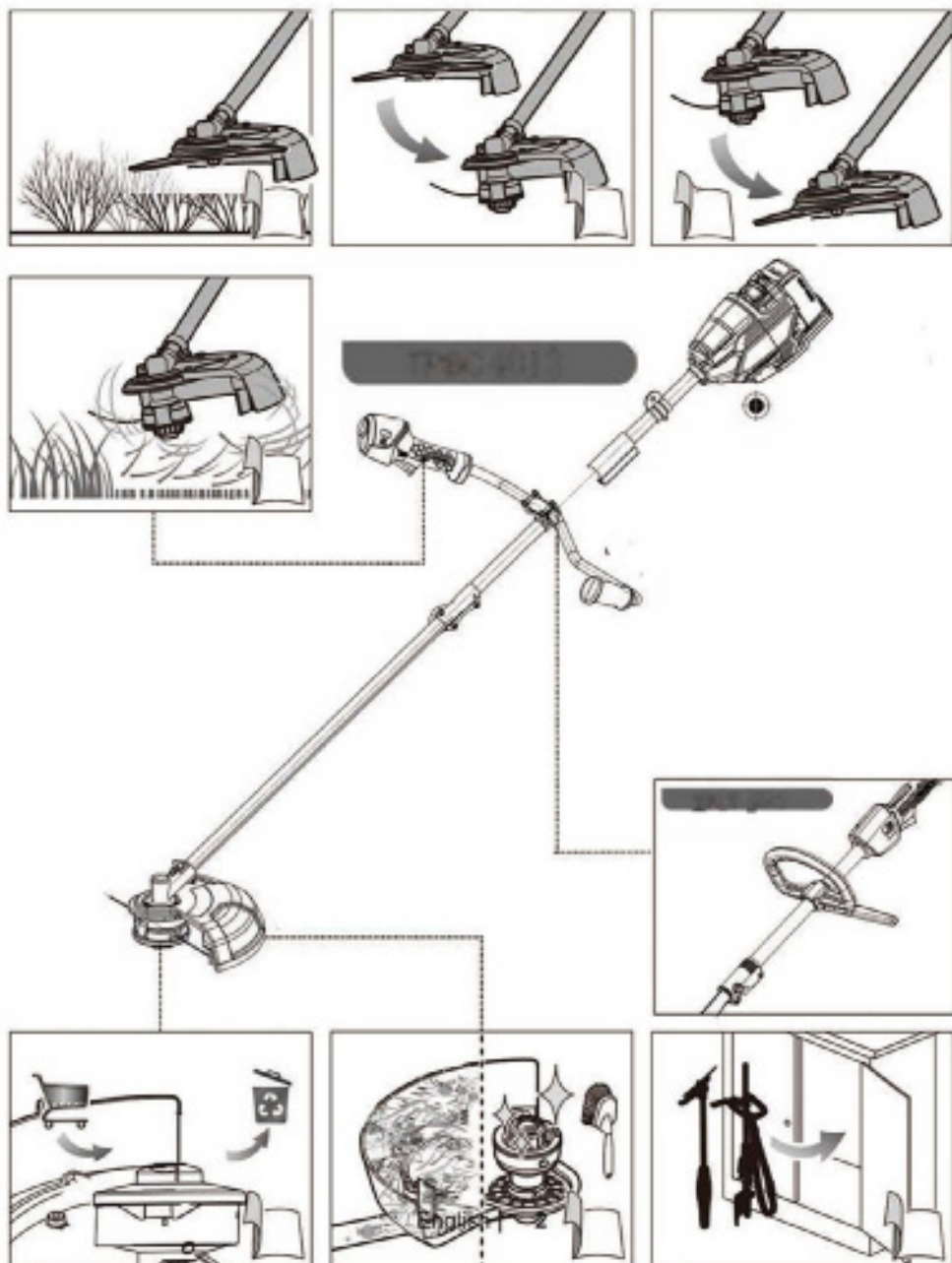
7



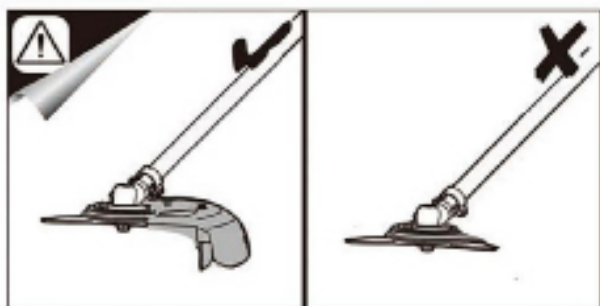
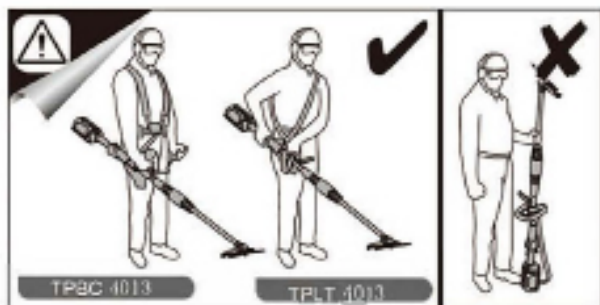
8



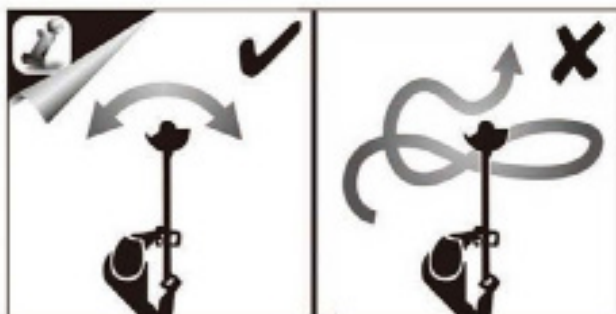
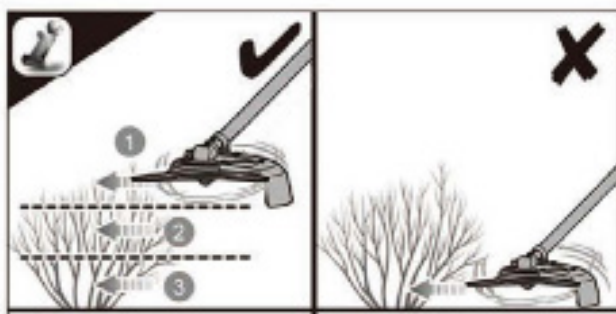
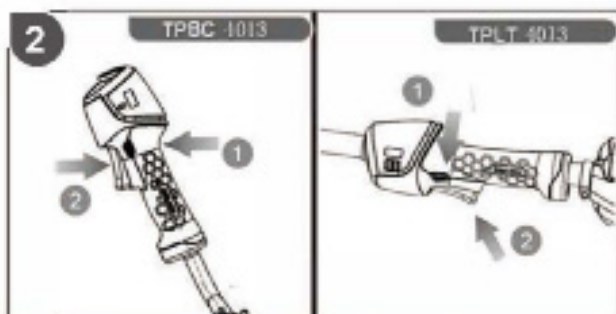
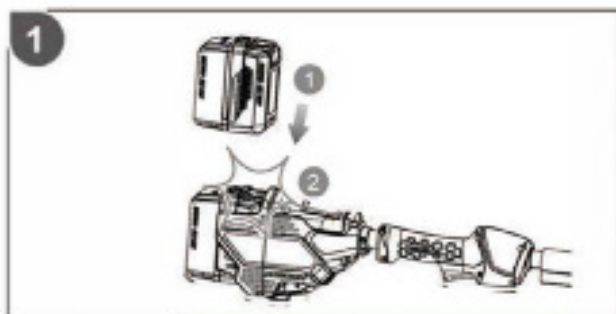
GETTING STARTED WITH THE BRUSH CUTTER



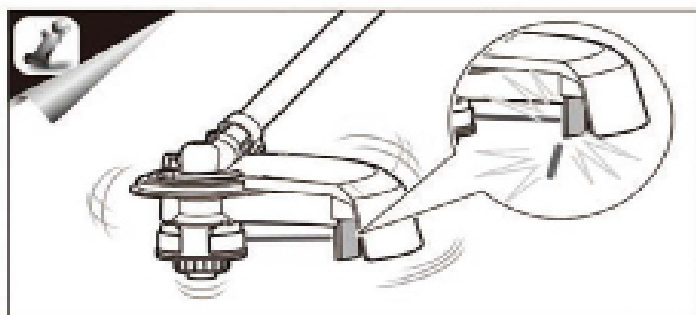
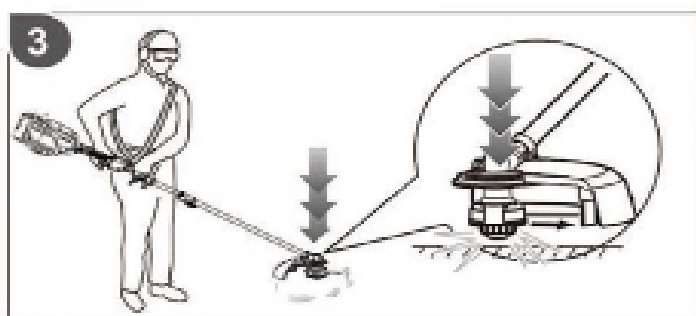
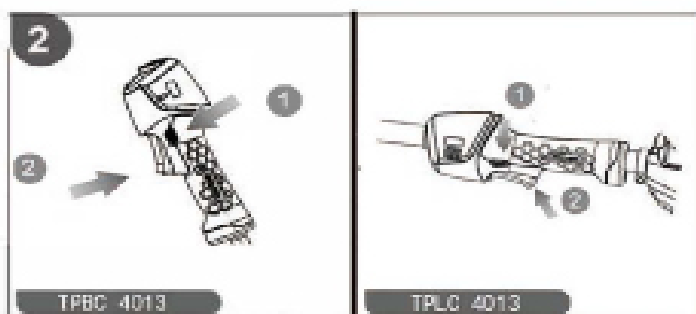
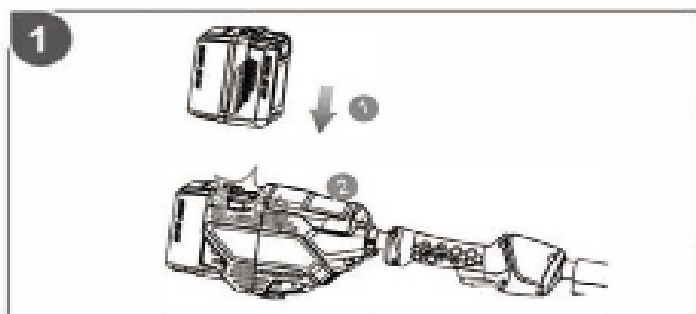
OPERATION OF THE BRUSH CUTTER



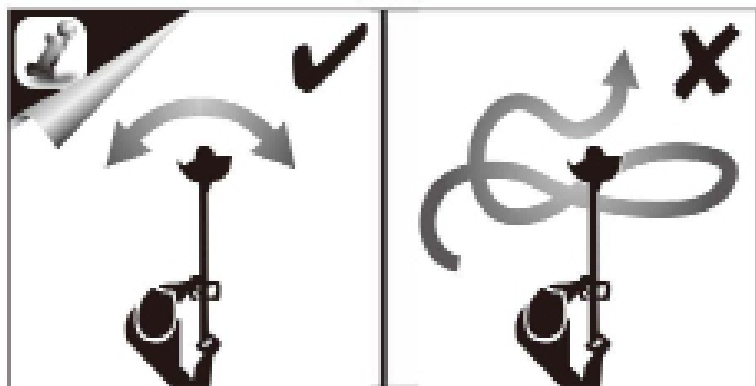
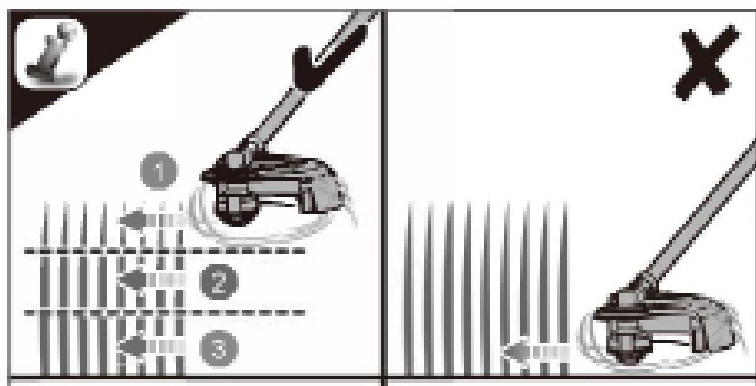
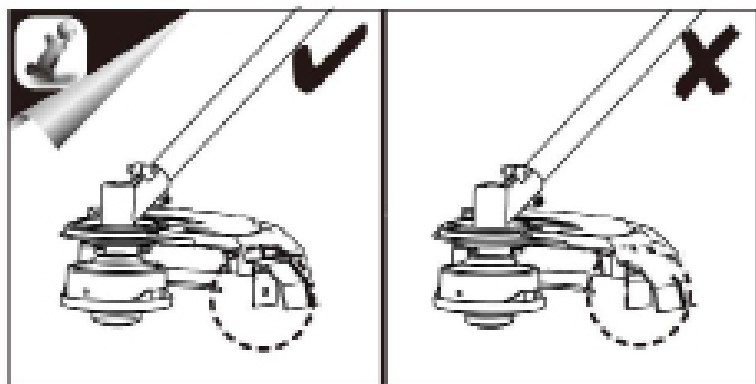
OPERATION OF THE BRUSH CUTTER



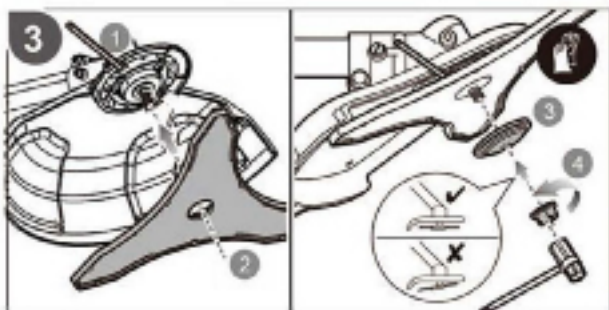
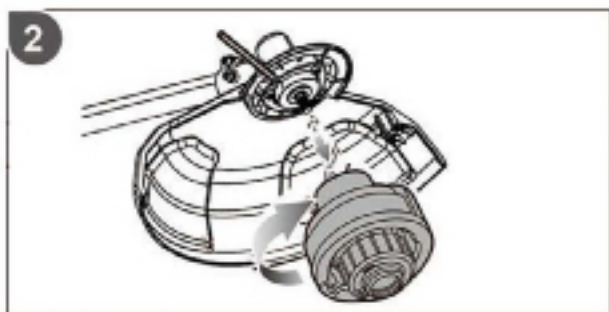
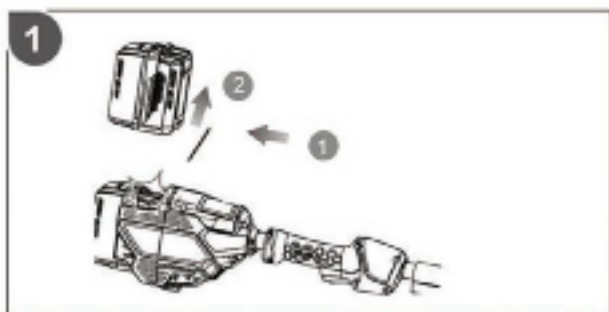
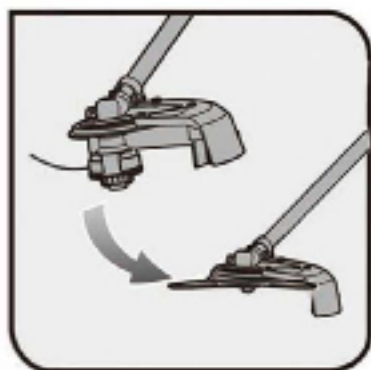
OPERATION OF THE BRUSH CUTTER



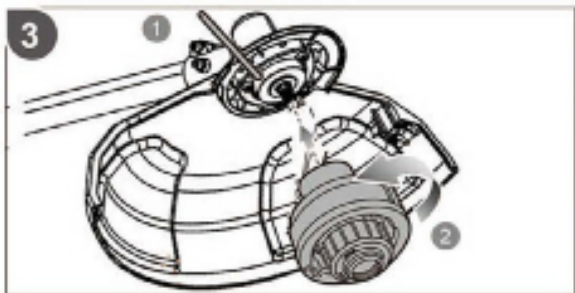
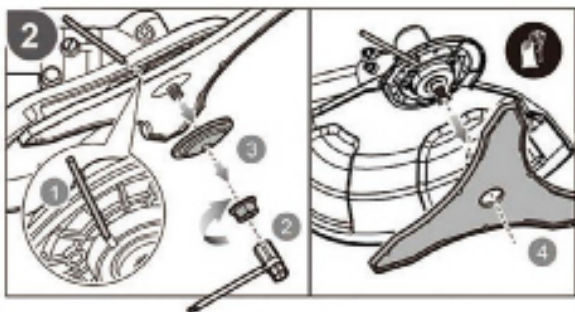
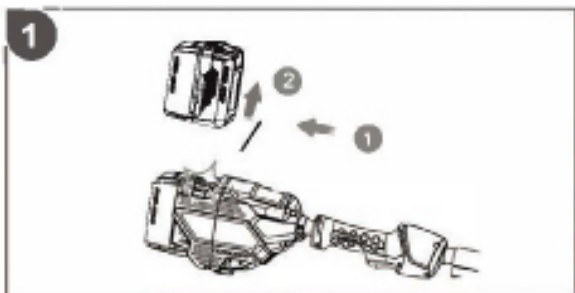
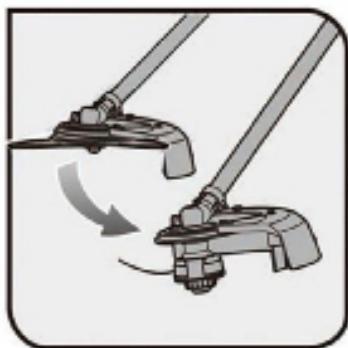
OPERATION OF THE BRUSH CUTTER



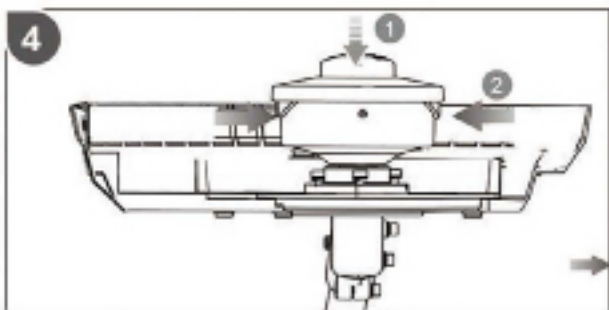
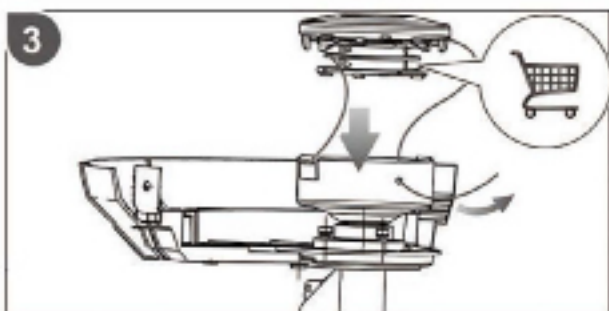
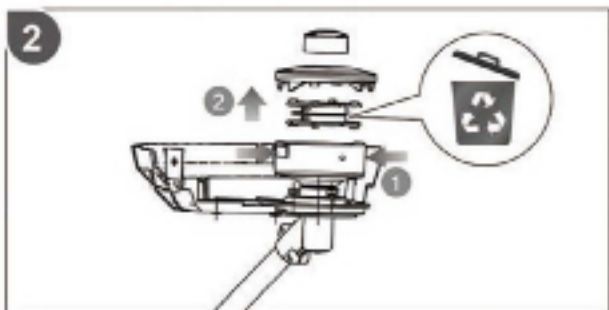
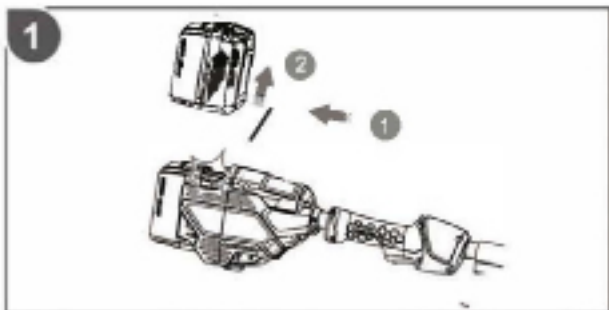
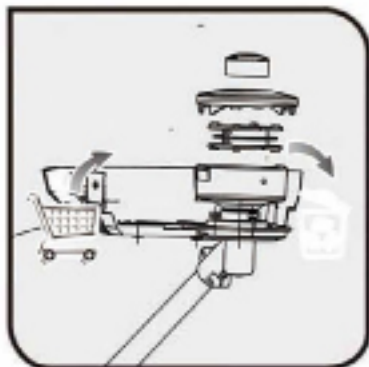
OPERATION OF THE BRUSH CUTTER



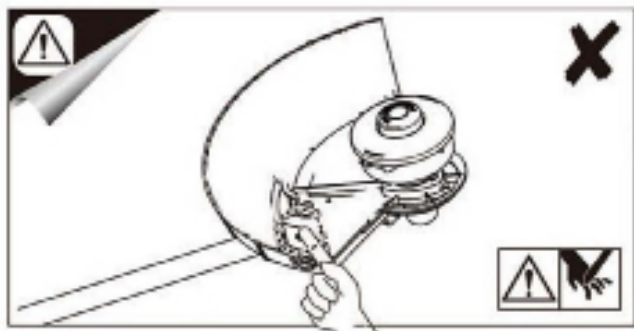
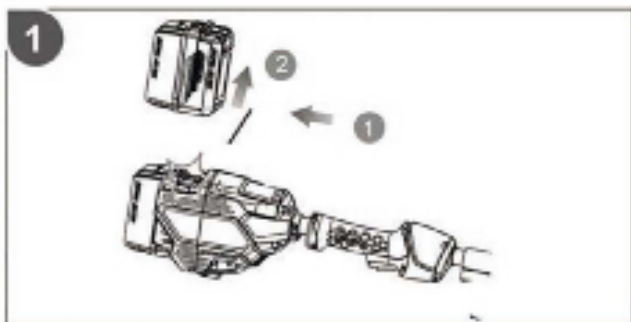
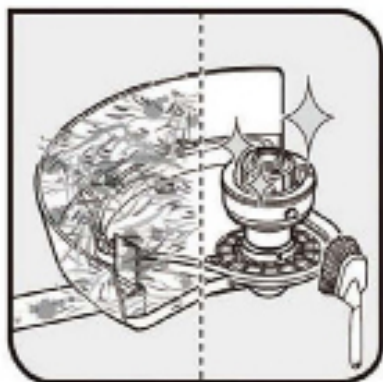
OPERATION OF THE BRUSH CUTTER



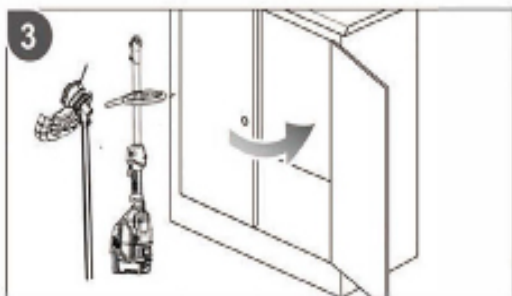
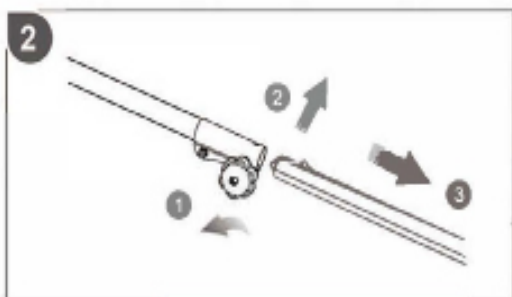
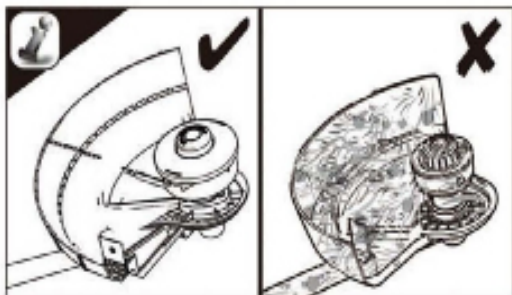
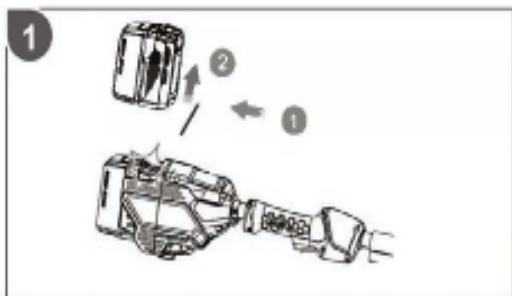
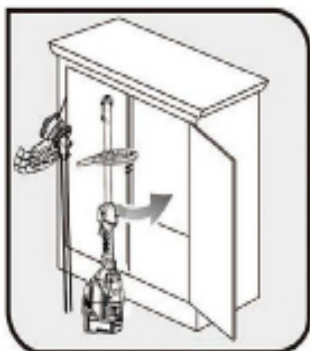
MAINTENANCE OF THE BRUSH CUTTER



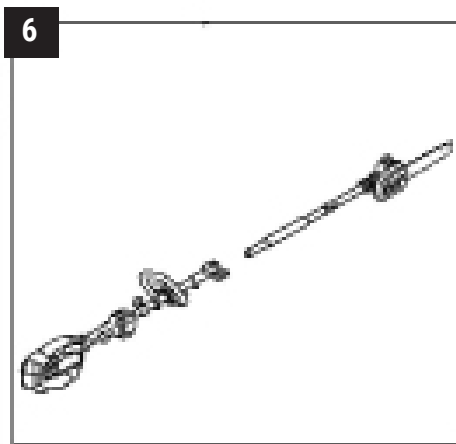
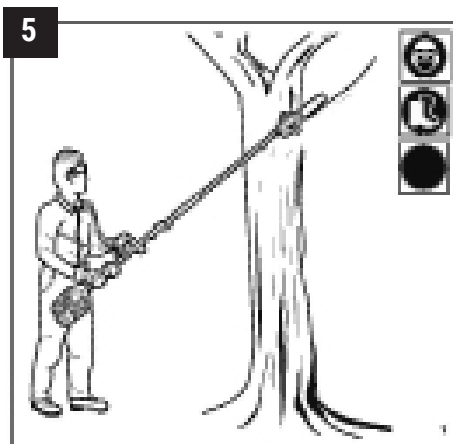
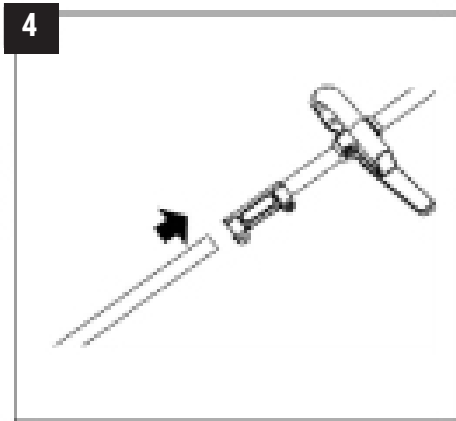
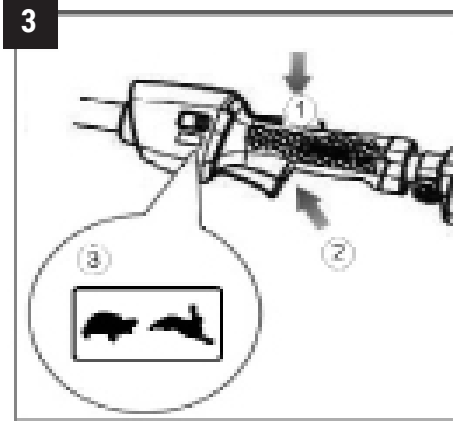
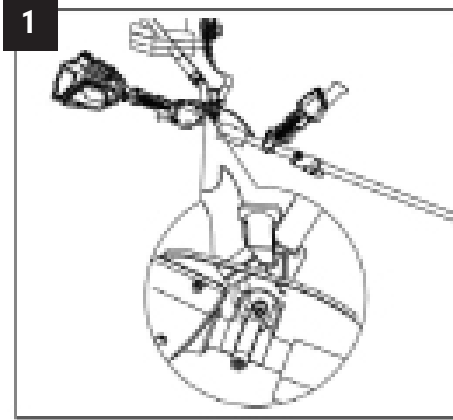
MAINTENANCE OF THE BRUSH CUTTER

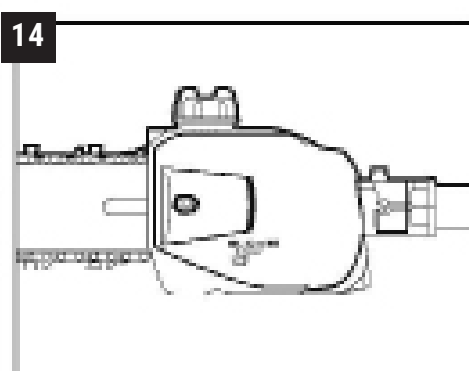
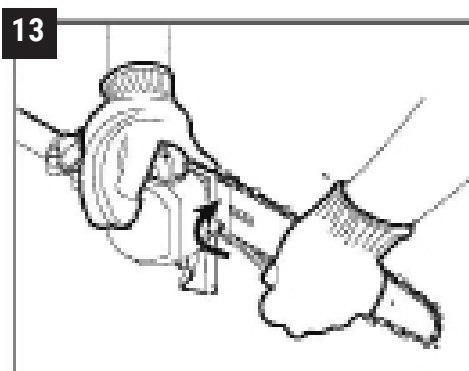
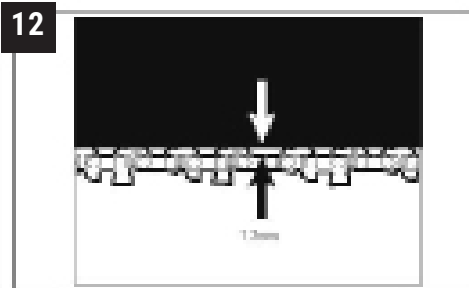
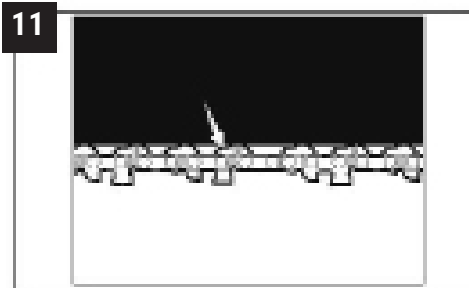
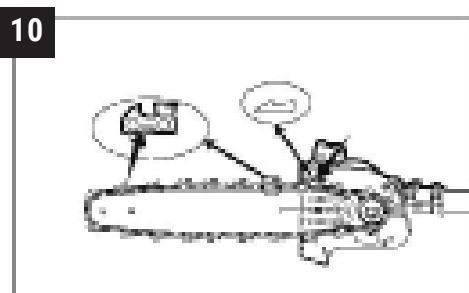
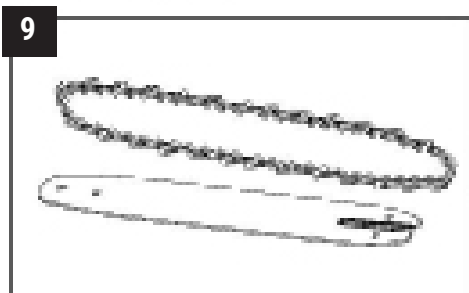
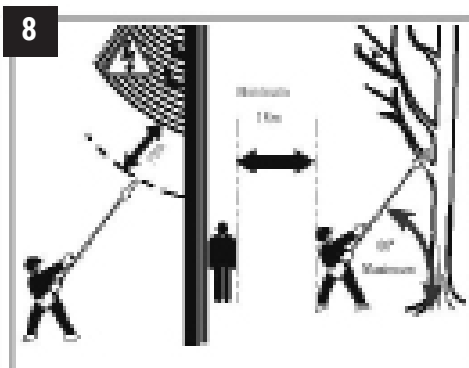
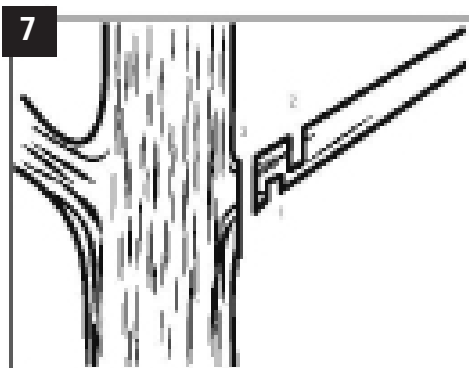


MAINTENANCE OF THE BRUSH CUTTER

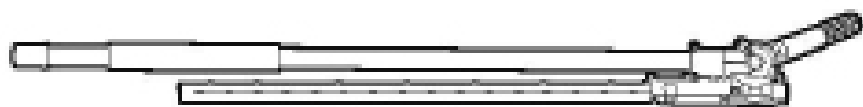


USING - HEDGE TRIMMER, POLESAW & EXTENSION

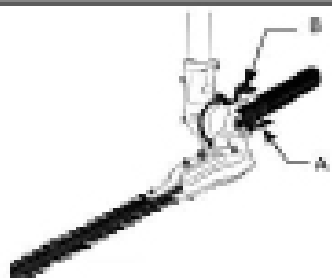




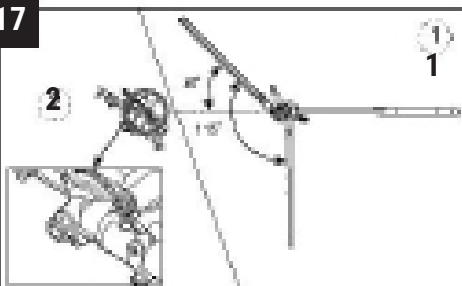
15



16



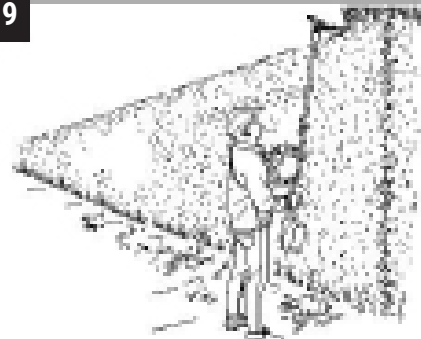
17



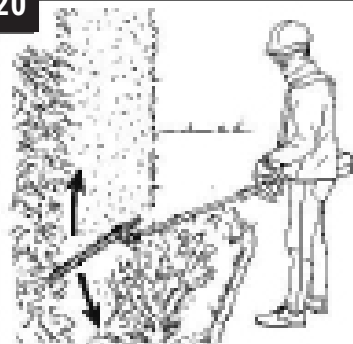
18



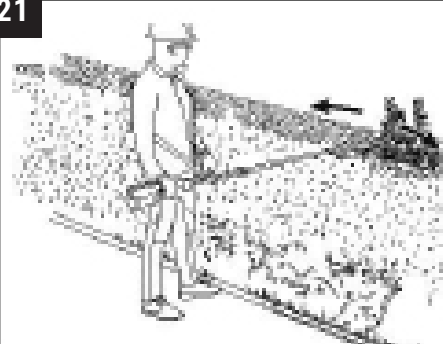
19



20



21



ASSEMBLY OF POLE SAW TOOL



WARNING:

Always wear heavy gloves when installing or removing the chain or doing any maintenance on the saw chain. Be careful of the chain and protect your hands from being injured by the saw chain.

- Lay the new saw chain in a loop on a flat surface and straighten any kinks (Pic .9)
- Place the chain drive links into the guide bar groove. Position the chain so there is a loop at the back of the guide bar Hold the chain in position on the guide bar and place the loop around the sprocket of the pole saw.

ASSEMBLING THE GUIDE BAR AND CHAIN

NOTICE: Small directional arrows are engraved in the saw chain. Another directional arrow is molded into the tool body (Pic. 10).

When looping the saw chain onto the sprocket, make sure that the direction of the arrows on the saw chain will CORRESPOND to the direction of the arrow on the tool body. If they face in opposite directions, turn over the saw chain and guide bar assembly.

- Replace the chain-sprocket cover and the cover screw. Slightly tighten them. (Pic. 14)
- Remove all the slack from the chain by turning the chain-tensioning screw clockwise until the chain seats snugly

against the guide bar with the drive links in the guide bar groove and lift the tip of the guide bar to check for sag. Release the tip of the guide bar and turn the chain tensioning screw once clockwise. Repeat this process until the sag is eliminated (Pic.13)

- Hold the tip of the guide bar up and tighten the chain-sprocket-cover screw securely.

NOTICE: If there is difficulty in inserting the tension adjusting pin into the hole, adjust the chain-tensioning screw properly until the tension adjusting pin is located exactly in the hole.

- Place the guide bar on the mounting surface by sliding the guide bar slot over the alignment bulges, making sure that the tension adjusting pin is inserted in the lower hole in the tail of the bar (Pic. 10).

NOTICE: If chain is too tight, it will not rotate. Loosen the chain-sprocket-cover screw slightly and turn the tensioning screw 1/4 turn counterclockwise. Lift the tip of the guide bar and retighten the chain-sprocket-cover screw securely. Assure that the chain will rotate without binding.

ADJUSTING THE CHAIN TENSION

CAUTION: The saw chain must be properly tensioned before using.

- Stop the motor and remove the battery pack before adjusting the chain tension.
- A cold chain is correctly tensioned when

there is no slack on the underside of the guide bar and the chain is snug, but it can be turned by hand without binding. The chain must be re-tensioned whenever the flats on the drive links do not sit in the bar groove (Pic. 11).

- During normal saw operation, the temperature of the chain will increase. The drive links of a correctly tensioned warm chain will hang approximately 1.3mm out of the bar groove (Pic. 12).

NOTICE: New chains tend to stretch; check chain tension frequently and tension as required. A chain tensioned while it is warm may be too tight upon cooling. Check the cold tension before next use.

ASSEMBLY OF HEDGE TRIMMER

When the hedge trimmer is removed from the package, it is folded in its storage position where the cutting blade is against the shaft (Pic. 15).

It is recommended to adjust the cutting blade to a suitable working position before attaching it to the power head.

To select the working positions. The angle of the cutting blade can be adjusted upwards from 0° (straight) to 45°, and downwards from 0° to 90° (right angle facing down) (Pic. 17/1).

- Press the trigger on the adjusting lever and meanwhile rotate the adjusting lever to adjust the cutting blade to the desired cutting position (Pic. 16).

- Once the desired position has been reached, release the trigger. An audible

click indicates that the locking pin is engaged in the quadrant, right located into place (Pic. 17/2).

 **WARNING:**

To reduce the risk of injury, carry out the adjustment only when the cutting blades are at a standstill. Never touch the blades while making adjustments.

 **WARNING:**

To reduce the risk of injury, always stop the tool and fit the blade scabbard before moving the cutting blade to the storage position or from the storage position to the normal working position.

STARTING/STOPPING THE POWER HEAD

To Start Press down the lock-off button and hold it in that position. Depress the trigger to turn on the power head.

Different pressure on the trigger results in variable rotating speed of the power head. More pressure, higher speed.

To Stop Release the trigger.

NOTICE: The motor runs only when the lock-off button and trigger are both pressed. Speed Adjustment Function (Pic. 3)

The power head has two speeds. a low speed and high speed. Push the high/low speed switch to choose the suitable speed during operation.

USING THE POLE SAW

WARNING:

Do not smoke or bring any fire or flame near the oil or the pole saw. Oil may spill and cause a fire.

FILLING OIL TANK WITH BAR AND CHAIN LUBRICANT

NOTICE: The pole saw is not filled with oil at the time of purchase. It is essential to fill the tank with chain oil before use. Chain life and cutting capacity depend on optimum lubrication. The chain is automatically lubricated with chain oil during operation. Oil level should also be checked after every 20 minutes of use and refilled as needed.

- Remove the battery pack from the power head.
- Clean the oil tank cap and the area around it to ensure that no dirt falls into the oil tank.
- Place the pole saw attachment upright and rotate the oil tank cap counterclockwise to remove it.
- Carefully pour the bar and chain oil into the tank until it fills to the tank neck. Be careful not to let the oil spill from the opening. Wipe off any excess oil and close the oil tank cap.

NOTICE: Do not use dirty, used or other contaminated oils. Damage may occur to the bar or chain.

PREPARATION FOR CUTTING (PIC. 5)

Refer to “Safety Instructions” earlier in this manual for safety equipment.

- Lift the tip of the guide bar to check for any sagging in the chain. The chain is correctly tensioned when there is no sag on the underside of the guide bar and the chain is snug, but it can be turned by hand without binding. If the tension requires adjustment, refer to the section at the ASSEMBLY section of this manual for adjustment instructions.
- Check the tension of the cover screw before use. If it is loose, securely tighten the cover screw by turning it clockwise
- Check the sharpness of cutting teeth on the saw chain and make sure the chain is well lubricated.
- Wear non-slip gloves for maximum grip and protection. Never stand directly under the limb you are cutting. Make sure that you have a secure and balanced footing.
- Maintain a proper grip on the unit whenever the motor is running. Hold the unit firmly with both hands.
- For safe and better operation, put on the shoulder strap across the shoulder. Adjust the shoulder strap into a comfortable operating position.

WARNING:

The shoulder strap is also a quick release mechanism in hazardous

situation. When an emergency occurs, take it off your shoulder immediately, no matter what way the strap is in.

BASIC CUTTING PROCEDURE (PIC. 7)

Follow the steps below to prevent damage to tree or shrub bark. Do not use a back-and forth sawing motion.

- Make a shallow first cut (1/4 of limb diameter) on the underside of the limb close to the main limb or trunk.
- Make a second cut from the top side of the limb outboard from the first cut. Continue the cut through the limb until the limb separates from the tree. Be prepared to balance the weight of the tool when the limb falls.
- Make a final cut close to trunk

NOTICE: For second and final cuts (from top of limb or branch), hold the bucking spikes against the limb being cut. This will help steady the limb and make it easier to cut with light downward pressure. If you force the cut, damage to the bar, chain, or motor can result in.

- Release the trigger on the power head as soon as the cut is completed.

NOTICE: Failure to follow proper cutting procedures will result in the bar and chain binding and becoming pinched or trapped in the limb. If this should happen:

- Stop the motor and remove the battery pack.

- If the limb can be reached from the ground, lift the limb while holding the saw. This should release the “pinch” and free the saw.

- If the saw is still trapped, call a professional for assistance.

LIMBING AND PRUNING

This pole saw attachment is designed for trimming small branches and limbs up to 20cm in diameter. For best results, observe the following precautions.

- Plan the cut carefully. Be aware of the direction in which the branch will fall.
- The most typical cutting application is to position the unit at an angle of 60° or less (Pic. 5). As the angle of the pole saw shaft to the ground increases, the difficulty of making the first cut (from the underside of limb) increases.
- Remove long branches in several stages.
- Cut lower branches first to allow the top branches more room to fall.
- Work slowly, keeping both hands on the saw with a firm grip.
- Maintain secure footing and balance.
- Do not cut from a ladder; this is extremely dangerous.
- Do not make the flush cut next to the main limb or trunk until you have cut off much of limb to reduce the weight.
- Do not use the pole saw for felling or

bucking.

- To prevent electrocution, do not operate within 10m of overhead electrical lines and keep bystanders at least 10m away (Pic. 8).

 **WARNING:**

Branches may fall in unexpected directions. Do not stand directly under the branch being cut.

MAINTENANCE & CARE

 **WARNING:**

When servicing, use only identical replacement parts. Use of any other parts can create a hazard or cause product damage. To ensure safety and reliability, all repairs, other than the items listed in these maintenance instructions, should be performed by a qualified service technician.

 **WARNING:**

Before inspecting, cleaning or servicing the unit, stop the motor, wait for all moving parts to stop, and remove the battery pack. Failure to follow these instructions can result in serious personal injury or property damage.

NOTICE: Before each use, inspect the entire product for damaged, missing, or loose parts such as screws, nuts, bolts, caps, etc. Tighten securely all fasteners and caps and do not operate this product until all missing or damaged parts are replaced. Please contact customer service or a qualified service technician.

GENERAL MAINTENANCE

Avoid using solvents when cleaning plastic parts. Most plastics are susceptible to damage from various types of commercial solvents and may be damaged by their use. Use clean cloths to remove dirt, dust, oil, grease, etc.

CLEANING THE POWER HEAD

- Stop the motor and remove the battery pack.
- Clean dirt and debris from the power head using a damp cloth with a mild detergent.

CLEANING THE BRUSH CUTTER

- Stop the motor and remove the battery pack. Remove from power head
- After each use, clean the debris, clogged soils or grass on the blade and guard with a soft brush.
- Wipe the tool surface with a clean cloth moistened with a mild soap solution.
- Use a small brush or a small vacuum cleaner to clean the air vents on the rear housing.
- Keep the air vents free of obstructions.
- When the blade becomes dull, both of the edges of the blade are dull, please sharpen it performed by a qualified service technician or replace with a new blade as necessary.

REPLACING THE BLADE

WARNING:

A worn, cracked, or damaged blade can break and pieces of the damaged blade can become dangerous projectiles. Thrown objects can cause serious injury. Inspect the blade regularly and do not operate the brush cutter with a worn or damaged blade.

WARNING:

Use proper eye protection while removing, sharpening, and installing the blade.

TO REMOVE THE BLADE

- Stop the motor and remove the battery pack. Remove from power head
- Rotate the outer flange to align the slot in the inner flange with the shaft-locking hole in the gear case and insert the hex wrench provided into the aligned holes to act as a stabilizer.

CLEANING THE HEDGE TRIMMER

- Stop the motor and remove the battery pack. Remove from power head
- Use a soft brush to remove debris from all air intakes and cutting blade.
- To remove pitch and other sticky residue, spray the blades with resin solvent.
- Do not use any strong detergents on the plastic housing or the handle. They can be damaged by certain oils. Moisture can

also cause a shock hazard. Wipe off any moisture with a soft dry cloth. Never use water for cleaning the tool.

SHARPENING THE CUTTING BLADE

When cutting performance and behavior begin to deteriorate, i.e. blades frequently snag on branches: Resharpener the cutting blades.

NOTICE: Do not operate your hedge trimmer with dull or damaged cutting blades. This may cause overload and will give unsatisfactory cutting results.

LUBRICATING THE BLADE

To prevent rust, it is recommended to lubricate the blades with anti-rusting oil when it is stored for long time.

WARNING:

Blades are sharp. When handling the blade assembly, wear non-slip, heavy duty protective gloves. Do not place your hand or fingers between blades or in any position where they could get pinched or cut. NEVER touch blades or service the unit with battery pack installed.

CLEANING THE POLE SAW

- Stop the motor and remove the battery pack. Remove from power head
- Use a soft brush to remove debris from all air intakes and cutting blade.
- Wipe off any moisture with a soft dry cloth.

- Remove the chain-sprocket cover, and then use a soft brush to remove debris from the guide bar, saw chain, sprocket and chain-sprocket cover.

- Always clean out wood chips, saw dust, and dirt from the guide bar groove when replacing the saw chain.

REPLACING THE BAR AND CHAIN



WARNING:

Never touch or adjust the chain while the motor is running. The saw chain is very sharp; always wear protective gloves when performing maintenance to the chain.

DISASSEMBLING THE WORN BAR AND CHAIN

- Stop the motor and remove the battery pack. Remove from power head and tighten the oil tank cap.
- Position the pole saw attachment on its side with the chain-sprocket cover is facing upwards.
- Wear gloves. Using the dual-head wrench provided, loosen the cover screw to remove the screw and the chain-sprocket cover.

NOTICE: If there is difficulty in removing the bar and chain from the mounting surface, place the pole saw upright, with one hand support the bar, to loosen the chain-tensioning screw counterclockwise with the other hand (Pic. 13) and then remove the bar with the chain. For assembling see the section:

“Assembling the Guide Bar and Chain”.

TRANSMISSION GEARS LUBRICATION

The transmission gears need be lubricated periodically with gear grease. Do not completely fill the transmission gears.

BATTERY MAINTENANCE

BATTERIES

The battery pack is equipped with Lithium-Ion rechargeable batteries. The duration of use from each charge will depend on the type of work performed.

The batteries in this tool have been designed to provide maximum trouble-free life. Like all batteries, they will eventually wear out. Do not disassemble the battery pack or attempt to replace the batteries. Handling of the batteries, especially when wearing rings and jewelry could result in a serious burn. To obtain the longest possible battery life, read and understand the operator’s manual.

- It is good practice to unplug the charger and remove the Lithium-Ion battery pack when not in use.

REPAIRS

Repairs may only be carried out at service center REM Power or authorized specialist firms.

STORAGE

- Remove the battery pack from the power head before storing.

- Clean all foreign material from the power head and/or tool.

- Store in a dry, well-ventilated area, locked up or up high, out of the reach of children. Do not store the unit on or adjacent to fertilizers, gasoline, or other chemicals.

- Wear heavy gloves to clean the tool thoroughly.

- Mount the blade sheath onto the blade for safe saving

- Remove the tool from the power head and cover the end cap onto the attachment shaft terminal, if necessary.

- Put on the blade scabbard onto the cutting blade before storing or transporting. Use caution to avoid the sharp teeth of the blades. For saving space, it is recommended to fold the hedge trimmer to its storage position.

- Always place the guide bar sheath on the guide bar and chain before storing or transporting the pole saw attachment. Use caution to avoid the sharp teeth of the chain.

- Store the Lithium-Ion battery pack and the charger where the temperature is below 26°C and free of moisture.

- Store Lithium-Ion battery packs in a 30%-50% charged condition.

- Every six months of storage, fully charge the Lithium-Ion battery pack

- Exterior may be cleaned with a cloth or soft non-metallic brush.

DISPOSAL

Do not dispose of electrical equipment, battery charger and batteries/ rechargeable batteries into household waste!

According to the European law 2012/19/ EU, electrical and electronic equipment that is no longer usable, and according to the European law 2006/66/EC, defective or used battery packs/batteries, must be collected separately.

If electrical appliances are disposed of in landfills or dumps, hazardous substances can leak into the groundwater and get into the food chain, damaging your health and well-being.

RECYCLE LI-ION BATTERIES

Consult your local waste authority for information regarding available recycling and/ or disposal options.

WARNING

Upon removal of the battery pack for disposal or recycling, cover the battery pack's terminals with heavy-duty adhesive tape. Do not attempt to destroy or disassemble the battery pack or remove any of its components. Lithium-Ion batteries must be recycled or disposed of properly. Also, never touch the terminals with metal objects and/or body parts as a short circuit may result.

Keep away from children.

Failure to comply with these warnings could result in fire and/or serious injury.

TROUBLESHOOTING

Problem	PROBABLE CAUSE	ACTION
Motor does not run	The battery pack is not attached to the power head.	Attach the battery pack to the power head.
	No electrical contact between the power head and battery	Charge the battery pack.
	The battery pack is depleted	Charge the battery pack.
	The lock-off button is not depressed before pressing the trigger	Press down the lock-off lever and hold it, then depress the trigger to turn on the tool.
	The battery pack or power head is too hot	Allow to cool.
	Saw chain is bound in the wood	Release the trigger; remove the saw chain and guide bar from the wood, then restart the pole saw.
	The blade is jammed	Remove the battery pack from the tool. Remove the obstruction carefully and then reinsert the battery and restart the tool.
	Debris in bar groove	Press the saw chain against the wood, move the pole saw back and forth to discharge the debris.
	Debris in chain-sprocket cover	Disconnect the tool from the power head. Reconnect them.
	The tool is not well connected with the power head	Disconnect the tool from the power head. Reconnect them.
Excessive vibration or noise	Dry or corroded blades	Lubricate the blades
	Blades or blade support is bent	Replace with a new blade or support.
	Bent or damaged teeth	Replace with a new blade or support.
	Loose blade bolts	Tighten the blade bolts.
Motor runs, but chain does not rotate	Chain does not engage drive sprocket	Remove the battery pack and reinstall the chain, making sure that the drive links on the chain are fully seated on the sprocket.
Pole saw does not cut properly	Insufficient chain tension	Remove the battery pack and readjust the chain tension
	Dull chain	Sharpen the chain cutters by a qualified service technician.
	Chain installed backwards	Remove the battery pack and reinstall the saw chain
	Worn chain	Remove the battery pack and replace the chain
	Dry or excessively stretched chain	Check the oil level. Refill the oil tank if necessary.
	Chain not in bar groove	Remove the battery pack and reinstall the saw chain.

Bar and chain running hot and smoking.	Check chain tension for over tightened condition.	Remove the battery pack and retension the saw chain
	Chain oil tank is empty.	Filling bar and chain lubricant
	Debris in guide bar groove.	Clear the debris in the groove.
Brush cutter stops while cutting.	The motor is overloaded.	The motor will recover when the load is removed. For continuous working, decrease the load on the power head.
	The battery pack or the power head is too hot.	Allow to cool.
	The battery pack is disconnected from the tool.	Re-install the battery pack.
	The battery pack is depleted	Charge the battery pack
The battery pack charge is reduced after more than one month of no use.	The battery pack has automatically performed self maintenance to extend its life.	Fully recharge the battery pack before use.
The battery endcap gets warm during storage.	The battery pack is automatically performed self-maintenance to extend battery life.	No action is required; this is normal. Press the power indicator the self maintenance process will stop.

If the unit requires further repairs or service, visit www.steelfort.co.nz to find your nearest service dealer.

WARRANTY

This product has a 3 year guarantee. This guarantee covers damages and bad function, only if the product has not been misused and all the instructions has been correctly followed.

In order to prove guarantee a receipt must be presented. The product has to be complete and have all its parts. The guarantee does not cover wear, lack of maintenance, negligence, incorrect assembly and inappropriate usage (blows, disrespect to power supply, storage, using conditions, etc). It is also excluded when non original or non adequate to the assembly accessories or parts, has been used on the product.

LawnMaster

Steelfort

500 Rangitikei Street
Private Bag 11045
Palmerston North, 4442, New Zealand
06 350 1350 | steelfort.co.nz

Steelfort Auckland

880 Great South Road, Penrose
Auckland, 1061, New Zealand
09 573 1324 | outlet@steelfort.co.nz



SCAN TO VIEW THE
LAWNMMASTER RANGE