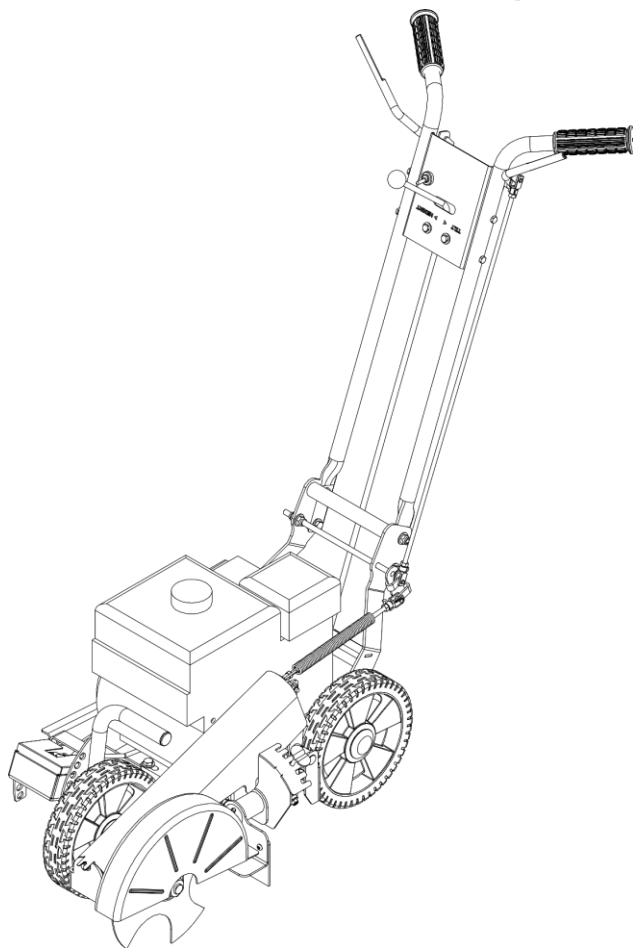


# LawnMaster®

## Eco-Series Edger





# Contents

Safety Instructions .....	4
Preparation .....	5
Operation .....	5
Commissioning the Edger .....	6
Engine Information: .....	6
Oil: .....	7
Fuel: .....	8
Assembling the Edger .....	9
Handle: .....	9
Attaching the Handle to the Edger .....	11
Cutter Nut .....	13
Belt Adjustment .....	13
Operating the Edger .....	15
Operator Controls .....	15
Starting the Edger .....	16
Engaging Cutter .....	17
Adjusting Cutting Depth .....	17
Adjusting Curb Height .....	18
Adjusting Cutter Angle .....	18
Maintenance .....	19
Engine .....	19
Cutter .....	19

Fasteners and Linkages .....	19
Cleaning .....	19
Lubrication .....	20
Belt Change .....	21

## Safety Instructions

- Read the instructions carefully. Be familiar with the controls and use of the equipment before you begin.
- Know how to stop the Edger and disengage the controls quickly in an emergency.
- The operator or user is responsible for accidents or hazards occurring to other people or property.

### Safety

- Never allow children or people unfamiliar with these instructions to use the Edger.
- Never operate the Edger while people or animals are nearby.
- While edging, always wear substantial footwear and long trousers. Do not operate the Edger when barefoot or wearing open sandals.
- Never operate the Edger with defective guards, shields or without safety protection devices in place and in good working order.
- Do not operate the Edger in a confined space where dangerous carbon monoxide fumes can collect.
- Never operate the Edger backwards.
- Always wear suitable eye and ear protection when operating the Edger.
- Use the Edger in daylight hours or in very good artificial light.

- Never lift or carry the Edger while the engine is running.
- Keep hands and feet well clear of rotating blades and moving components
- Always stop the engine when you leave the Edger unattended and when crossing roads, pathways or gravel drives.

## Preparation

- Thoroughly inspect the area where the Edger is to be used and remove all stones, sticks, wires and any other foreign objects.

## Operation

- Check that the Edger is in good working order before using.
- Do not adjust or modify the engine governor or throttle settings as this will have a detrimental effect on the Edger performance and ultimately shorten the Edger's working life.
- Visually inspect the Edger to ensure that all parts are not worn or damaged.
- Perform all the listed maintenance regularly.
- Replace worn or damaged parts with genuine spare parts only.

## Commissioning the Edger

Open the carton and inspect the contents, you will find

- 1x Edger
- 1x Edger Handle Assembly
- 1x Owner's Manual
- 1x Engine Manual
- 1x Warranty Card

Take precautions when removing the Edger from the carton to ensure that you do not put undue stress upon your back when lifting. It is recommended that two people lift out the edger to prevent injury or if available, use a hoist.

### Engine Information:

Refer to the separate Engine Manufacturers Owner's Manual Supplied with the Edger and carry out all of the safety checks contained before proceeding with the commissioning of the Edger.

## Oil:

### Caution

Engines are shipped without oil. Check the engine manufacturers' manual for oil grade and quantity details.

1. Place the Edger on a level surface.
2. Remove the oil dipstick.
3. Wipe the dipstick clean.
4. Fill to the full mark indicated, pouring slowly – DO NOT OVERFILL.
5. Check the level by inserting the dipstick back into the engine without tightening.
6. Once full, screw the dipstick securely back into place.

Note that if the engine is overfilled, it will smoke excessively or appear to be seized.

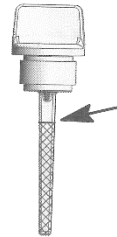


Figure 1 Oil Dipstick



## Fuel:

### Caution

Petrol vapour is highly flammable. Handle with extreme care. Store in approved containers.

Your engine will run best of fresh, clean unleaded petrol (91 octane). Do not over fill the petrol tank, it is recommended that approximately 5 to 10mm of tank space is left for fuel expansion.

When handling fuel:

- Do not fill tank when the engine is running.
- Do not smoke or expose to naked flame.
- Do fill tank in an open well-ventilated area.
- Do wipe away any spills.
- Do move the mower away from any petrol fumes before starting engine.

## Assembling the Edger Handle:

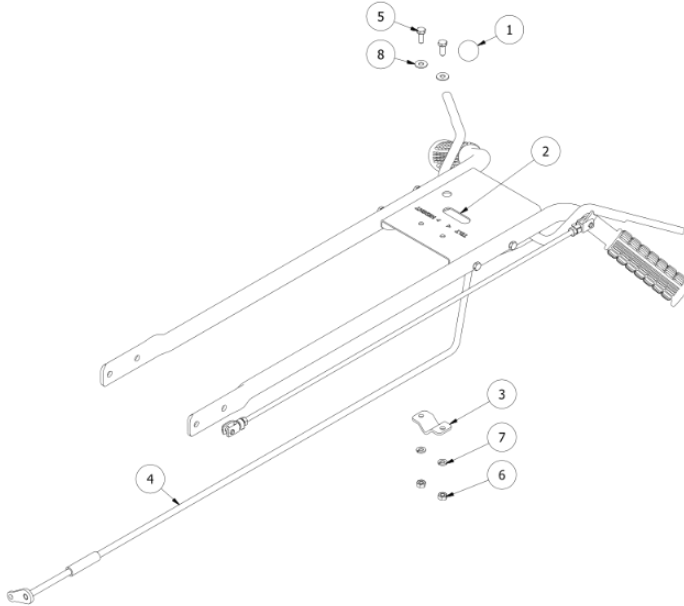


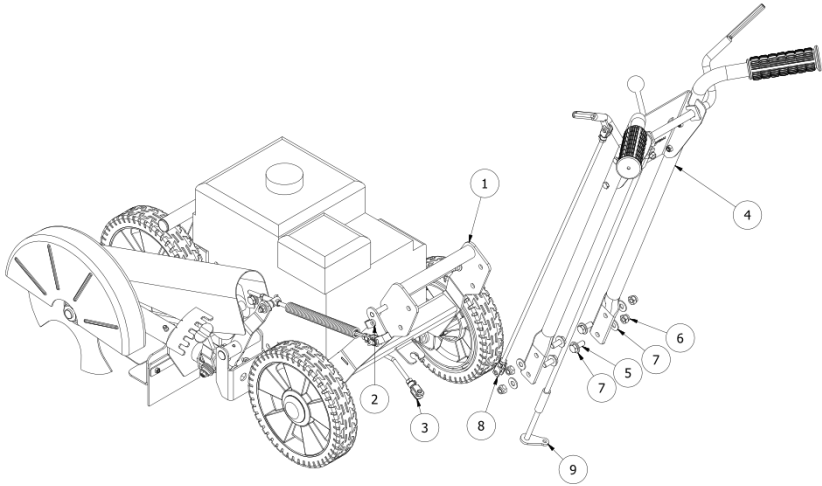
Figure 2 - Handle Assembly

The handle is supplied in two pieces for shipping, the main handle labelled (2) and the height\tilt lever (4)

- Unscrew the black knob (1) from height\tilt lever (4).
- Remove lever guide (3) from handle (2) by undoing bolts (5).
- Insert lever (4) upwards through the slot in handle (2).

- Reattach guide (3) to handle (2) so that it retains lever (4) using bolt (5) with washer (8) from the top and spring washer (7) and nut (6) from the bottom.
- Screw Knob (1) onto lever to complete pre assembly.

## Attaching the Handle to the Edger

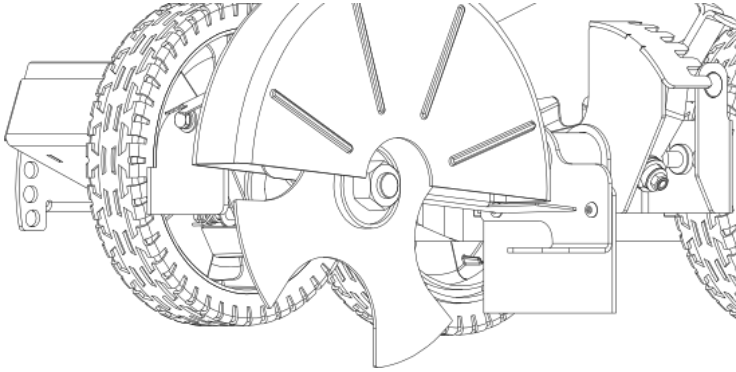


*Figure 3 Handle Attachment*

- For all 4 bolts (5) place one washer (7) onto the bolt.
- Line up the handle (4) with the Edger (1) using the 4 bolt holes at the end of the handle.
- Insert the bolt with washer through the handle and then through the edger chassis. The threaded end should be pointing out.

- Place another washer (7) onto the exposed end of the bolt and then screw nylok nut (6) onto the bolt
- Attached Clevis Joint (3) to the height\tilt link end (9).
- Attached Clevis Joint (8) to the Cutter Actuator Link (2).
- Ensure handle is at a comfortable angle and all bolts are tight.

## Cutter Nut

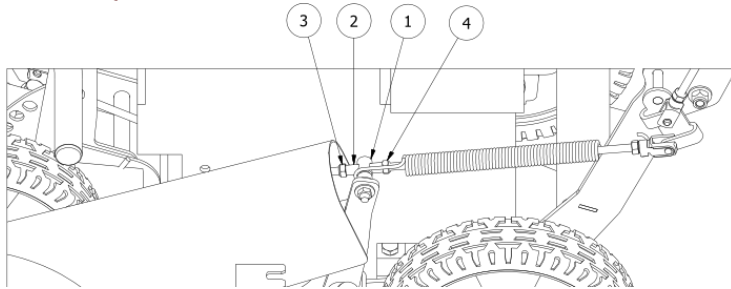


*Figure 4 Cutter*

Before using the Edger check cutter nut for tightness.

Cutter nut torque is 39 Nm (4.0kg-m).

## Belt Adjustment



*Figure 5 Belt Tension Adjustment*

With the engine off, pull the cutter engagement handle to engage the belt.

With the handle pulled home the belt tension adjust point (1) should sit midway on the slideway (2). If it does not, wind both nuts (3) (4) to shift the slideway in the direction required.

# Operating the Edger

## Operator Controls

1. Engine On\Off Switch
2. Height or Tilt Adjust Lever
3. Cutter Operating Lever
4. Cutter Angle Selector

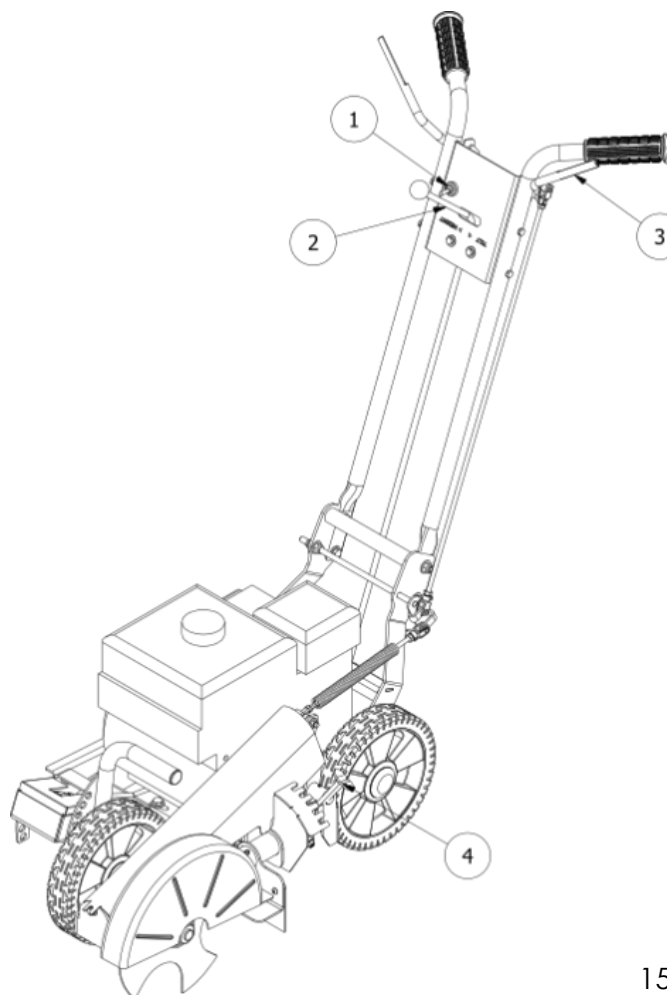


Figure 6 Operator Controls



5.

## Starting the Edger

### Caution

Only start the Edger with the Cutter operating lever disengaged. Do not run the engine in an enclosed area. Check Cutter clearance to ensure it will not contact anything once started

Set the Engine On\Off switch to On (note some models have a second On\Off switch mounted on the engine. Both need to be On for the edger to operate).

Move the throttle to Fast position.

If the engine is cold move choke control to CHOKE position.

Pull starter cord gentle until resistance is felt then pull the starter cord using a rapid smooth movement to start the engine. Gently allow the cord to recoil back into the engine.

Repeat the starting procedure above if necessary.

Once started move the choke control to RUN.

## Engaging Cutter

### Caution

Cutter will turn when the cutter control lever is pulled. Ensure area is clear of objects people or pets that might come in contact with the cutter.

With both hands on the handles, slowly pull the cutter control lever towards the handle. When the lever is pulled all the way down to the handle the cutter is fully engaged.

Cutter speed is controlled by engine speed.

## Adjusting Cutting Depth

### Caution

Adjust cutting depth before engaging blade

With one hand firmly grip the handle using the other move the height\tilt control lever right toward the height indicator. This will release the locking pin on the front wheel allowing the depth to be adjusted by raising and lowering the edger. Once a suitable

depth is obtained release the control lever and the locking pin will re-engage.

### Adjusting Curb Height

With one hand firmly grip the handle, using the other hand move the height\tilt control lever left towards the tilt indicator. This will release the locking pin on the right hand wheel, allowing it to drop to suit a curb. Once a suitable setting is obtained release the control lever and the locking pin will re-engage.

### Adjusting Cutter Angle

#### **Caution**

Adjust cutter angle only when cutter is stationary. For safety never adjust blade angle while cutter is turning.

There are 5 set positions for cutter angle. The central position is vertical and there are two angled positions either side of this.

## Maintenance

### Engine

Refer to the manufacturers manual for engine maintenance information including Oil, Air Cleaner and Spark plug servicing.

### Cutter

Check the condition of the cutter looking for excessive wear or cracking. Ensure cutter nut is tight. Torque should be 39 Nm (4.0kg-m).

The cutter is reversible so when the leading edge is sufficiently worn remove the cutter, flip it over and reattach it.

### Fasteners and Linkages

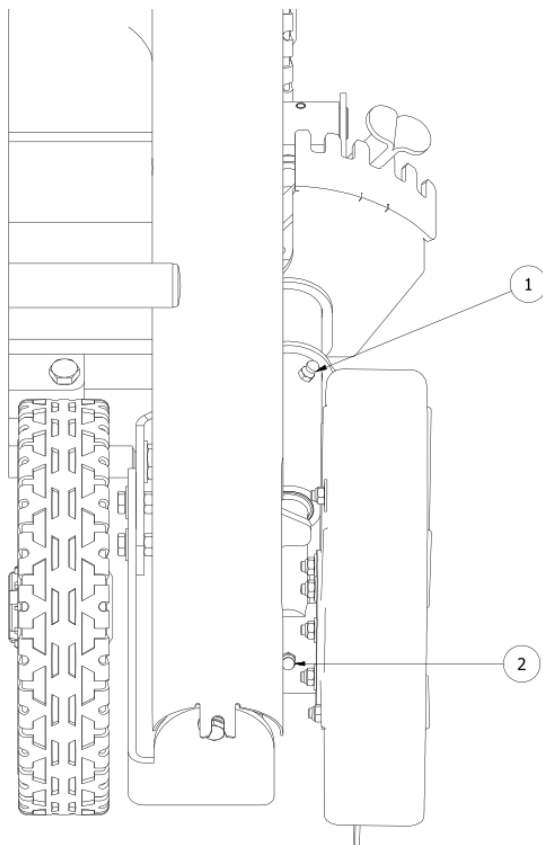
Check all nuts, bolts, pins and linkages are secured correctly in place and are in good condition.

### Cleaning

As part of maintenance ensure the edger is cleared of dust and debris regularly. Check the engine cooling fins and all moving parts.

## Lubrication

Grease Nipples are provided on the cutter head (2) and cutter shaft (1). Using a standard grease gun, fill with fresh grease via the two ports.



*Figure 7 Grease Nipple Locations*

## Belt Change

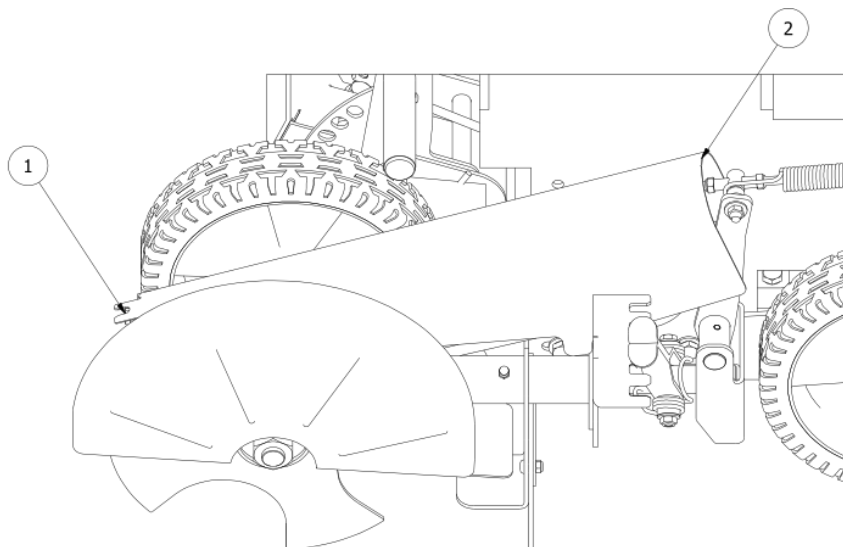


Figure 8 Belt Guard

Note: Bolt (2) is inside of guard.

- To change the Edger belt remove the belt guard by loosening bolts (1) & (2) and sliding the belt guard up and off the machine.
- Work the belt off each of the pulley's and remove.
- Fit the new A29 belt around each of the pulley's.
- Replace the belt guard and tighten the bolts (1) & (2).
- Check correct belt tension as per the commisioning section.