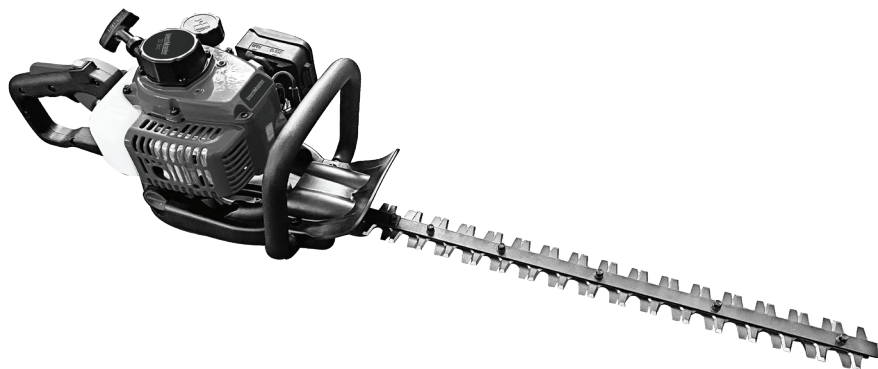


LawnMaster®

SAFETY AND OPERATING MANUAL



PETROL HEDGE TRIMMER

LMSLP600

TABLE OF CONTENTS

TECHNICAL DATA	3
PREFACE	4
SAFETY PRECAUTIONS	4
PARTS LISTING	6
ENGINE OPERATION	7
FUEL & OIL MIXTURE	7
STARTING THE ENGINE	8
MAINTENANCE & CARE	10
WARRANTY	11



TECHNICAL DATA

Thank you for purchasing the LawnMaster Petrol Hedge Trimmer. This manual will explain the functions and use of the Hedge Trimmer. Please read this manual carefully before operating the unit.

	MODEL	LMSLP600
MAIN UNIT ENGINE	Dimensions	1150 x 250 x 250
	Engine Type	1E32F
	Displacement	22.5 cc / 2-Stroke Engine
	Fuel	91 Unleaded Petrol
	Fuel & Oil Mixture	40:1
	Carburetor	Diaphragm
	Rotation Mode	Centrifugal Clutch
	Ignition	CDI
	Spark Plug	L7T
	Starter	Recoil Starter
	Fuel Tank Capacity	600 ml
	Weight	5.5 kg
Blades	Blade Length	600 mm
	No. Blade Teeth	33
	Gear Spacing	35 mm
	Cutting Capacity	Max 8mm Diameter

Technical Data is subject to change without notice.

PREFACE

Please ensure that you read the manual carefully before attempting to operate the unit. We advise that you keep this manual as a reference for the future.

The information in this manual refers to the model and product specifications available at the time of production. While we ensure all the latest information is included, there may be slight changes or upgraded specifications that are different to the contents of the manual.

SAFETY FIRST

This manual contains special “attention statements” that are highlighted with triangular attention symbols.

WARNING

A statement preceded by WARNING contains Information that should be acted upon to prevent serious bodily injury.

CAUTION!

A statement preceded by the word “CAUTION” contains information that should be acted upon to prevent machine damage.

Additional statements that are not preceded by the attention symbols are:

IMPORTANT!

A statement preceded by the word “IMPORTANT” is one that possesses significance, the result of an action may lead to damaging the unit.

NOTE!

A statement preceded by word “NOTE” contains information that is handy to know and may make your job easier.

Please ensure you read and follow the guidelines provided in this manual. Failure to do so could result in serious injury.



Read user manual before use



Wear mask and eye protection



Ear muffs for hearing protection



Warning and Attention



Sharp Blades



Fire Risk



Hot Surface

SAFETY PRECAUTIONS

PREPARATION

Please ensure that you read the manual and follow the instructions when operating the unit

Ensure that you have good understanding of basic controls and functions of the unit, in particular learn how to stop and or shut off the engine.

Do not allow anyone without proper instruction or training to operate the unit.

All operators of the unit should wear appropriate clothing and protection gear to prevent serious injury. Do not wear loose clothing and or jewelry, which can be caught in moving parts. Use sturdy gloves and non-skid footwear.

Keep the area clear of bystanders, children and pets. Never allow children to operate or play with the unit as the blades are sharp and dangerous and beware of overhead power lines etc.

Use extra care when handling fuels. They are flammable and the vapours are explosive. The following points should be observed at all times:

- Use only an approved container.
- Never remove the fuel cap or add fuel with the power source running.
- Allow engine and exhaust components to cool down before re-fueling.
- Do not smoke.
- Never re-fuel indoors.
- Never store the hedge trimmer or fuel container inside where there is an open flame etc.
- If fuel is spilled, do not attempt to start the power source, but move the hedge trimmer away from the spillage before starting.
- Always replace and securely tighten the fuel cap after refuelling.

- If the fuel tank is drained, this should be done outdoors.

If the cutting mechanism strikes any foreign objects or the hedge trimmer starts making unusual noise or vibrations, shut off the power source and allow the hedge trimmer to stop. Disconnect the spark plug wire from the spark plug and take the following steps:

- Inspect for damage;
- Check for, and tighten, any loose parts;
- Have any damaged parts replaced or repaired with parts having equivalent specifications

OPERATION

Stop the engine before

- Cleaning or when clearing a blockage,
- Checking, carrying out maintenance or working on the hedge trimmer,
- Adjusting the working position of the cutting device,
- Leaving the hedge trimmer unattended.

Ensure that the hedge trimmer is correctly located in a designated working position before starting the engine.

While operating the hedge trimmer, always ensure that the operating position is safe and secure, especially when using steps or a ladder.

Do not operate the hedge trimmer with a damaged or excessively worn cutting device.

To reduce fire hazards, keep the engine and silencer free of debris, leaves and excessive lubricant.

Always ensure that all handles and guards are fitted when using the hedge trimmer. Do not attempt to use an incomplete hedge trimmer or one fitted with an unauthorized modification, as this can be dangerous and will impact warranty.

Always use two hands to operate a hedge trimmer fitted with two handles and always be aware of your surroundings and stay alert for possible hazards of which you may not be aware due to the noise of the hedge trimmer.

MAINTENANCE & STORAGE

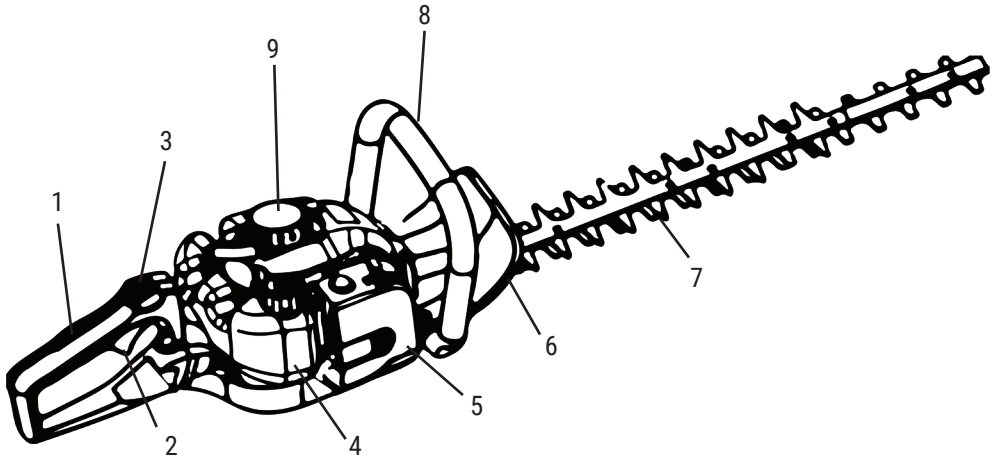
When the hedge trimmer is stopped for servicing, inspection or storage, shut off the power source, disconnect the spark plug wire from the spark plug and make sure all moving parts have come to a stop.

Allow the hedge trimmer to cool before making any inspections, adjustments, etc.

Store the hedge trimmer where the fuel vapour will not reach an open flame or spark. Always allow the hedge trimmer to cool down before storing.

When transporting or storing the hedge trimmer, always fit the cutting device transport guard.

PARTS LISTING



1. Rotating Handle
2. Throttle Interlock
3. Stop Switch
4. Fuel Tank
5. Air Filter

6. Guard
7. Blades
8. Handle
9. Starting Cord

ENGINE OPERATION

BEFORE STARTING THE ENGINE



WARNING

Be sure to read the fuel handling information in the safety instructions section of this manual before you begin.

If you do not understand the fuel handling information, do not attempt to fuel your unit. Seek help from someone that does understand the information.

FUEL & OIL MIXTURE



WARNING

Always turn off engine before refueling. Never add fuel to the machine with a running or hot engine. Move at least 3m from the refueling site before starting the engine. Fuel used for this model is a mixture of unleaded petrol and approved engine lubricant.

DO NOT SMOKE. Failure to follow this warning can result in personal injury.

SAFETY TIPS

- Always handle fuel with care. It is highly flammable.
- Always refuel outdoors where there are no sparks and flames. Do not inhale fuel vapors.
- Do not let petrol or oil come in contact with your skin.

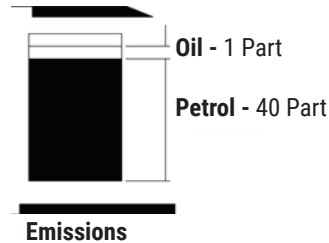
- Keep petrol and oil away from the eyes. If petrol or oil comes in contact with the eyes, wash them immediately with clean water. If irritation is still present. Seek immediate medical help.
- Clean up spilled fuel immediately.



WARNING

When mixing petrol with two-cycle engine oil, use only petrol that DOES NOT contain ETHANOL or METHANOL (types of alcohols).

Use 91 unleaded petrol to fuel the unit. This will help avoid possible damage to the engine fuel lines and other engine parts.



The engine uses two-stroke fuel. If you have emission requirements, the mixture ratio of the fuel to oil should be 40:1.

Other Appropriate Fuel Mixtures

Petrol	2-Stroke Oil
1 Litre	25 ml
2 Litre	50 ml
5 Litre	125 ml

Be careful, a wrong mixture of the fuel will cause machine failure.

Petrol

Use 91 Unleaded Petrol.

STORING FUEL

The tank to store the fuel should be clean, anti-static, high-temperature-resistant, fire prevention and safe.

IMPORTANT

Two-stroke fuel may separate. Shake fuel container thoroughly before every use. Do not mix more fuel than you expect to use within a month

STARTING THE ENGINE





WARNING

Do not operate the machine in a closed or poorly ventilated areas as the exhaust gas contains poisonous substances. Keep hands, feet, hair and clothing away from all the moving parts of the machine. The exhaust and other parts of the machine will become hot during use. Ensure the blade cover is removed before attempting to start the hedge trimmer.

IMPORTANT

Please ensure you remove the blade cover prior to starting the engine.

STARTING A COLD ENGINE (OR WARM ENGINE AFTER RUNNING OUT OF FUEL)

1. Press the START/STOP switch to the START position.
2. Set the choke control in the  close position.
3. Slowly press primer bulb 5 times.
4. Pull starter grip 5 times, until engine tries to run.
5. Push Choke to  position
6. Pull the starter rope sharply until the engine fires. Allow engine to run for 1-2 minutes, then keep trigger fully squeezed until engine runs smoothly.

STARTING A WARM ENGINE

Release the trigger, then press the START / STOP to the "STOP" position.

NOTE:

If the engine does not stop, closing the choke lever will force it to stop.

When the engine is hard to start due to excess fuel, remove the spark plug and dry it before restarting it.

STOPPING ENGINE

In the case of an emergency and you are required to stop the engine:

1. Release the throttle lever to allow the engine idling for 1-2 minutes. Put the stop lever in "O" place.

OPERATING THE UNIT



WARNING

DO NOT operate the blade near electrical wires. Failure to do this may result in serious injury.

The blades are extremely sharp and is dangerous and if instructions are not followed, may result in serious injury.

The blade should never be pointed to yourself or others.

Keep all parts of your body away from the blade during operation.

Be sure to stop the engine before clearing debris or removing them from the blade.

While using the machine, please wear the sturdy gloves and appropriate clothing and footwear.

Always ensure that the blade cover is installed when not using the hedge trimmer.

IMPORTANT

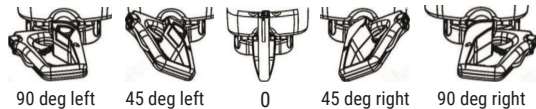
During use, if the blade continues to stop it is most likely due to:

- Branches being too rough or too big.
- The blade has become worn
- The gap between the blade is too big which reduces the cutting power.

THE USE OF HANDLE

To reduce fatigue when trimming hedges, the handle can be swiveled through from 90 degrees to the left or right.

1. Free the handle by pulling the locking lever.
2. Turn the handle until the locking lever clicks into place.
3. When the handle is locked in its new position, you can begin working



USING THE UNIT

1. While trimming, you should go forward along the desired trimming path. Slowing sway the unit up and down, and or left to right in motion. Do not walk backwards while using the unit as this can be dangerous.

2. Make sure the unit used in good weather conditions, as well as good working environments away from rocks, wires, hardwoods and or plastics.

3. Never use the unit on branches more than 8mm in diameter.

MAINTENANCE & CARE

CAUTION

Stop the engine before inspecting the spare parts. Never modify or dismount the engine and only use genuine replacement parts as recommended by the manufacturer.

MAINTENANCE BEFORE & AFTER EACH USE

ITEMS		DISPOSAL
Cutting Attachment	<ul style="list-style-type: none"> Looseness at the assembly position. The big gap between blade Blade wear 	Tightening Adjustment required to mend.
Throttle Cable	<ul style="list-style-type: none"> The distance is big Not flexible 	Adjustment required to mend or change cable.
Fuel tank	<ul style="list-style-type: none"> Looseness at the assembly position Fuel pipe is damaged Tank lid is damaged 	Tighten
Muffler	<ul style="list-style-type: none"> Assembled items becoming loose. 	Tighten

PERIODICAL SERVICE POINTS

ITEMS		20H	25H	50H	100H	REMARKS
ENGINE	Clean the cylinder fan cover		x			
	Clean the air cleaner filter net		x			
	Clean and adjust the plug		x			Gap 0.6 - 0.7
	Clean the fuel tank			x		
	The tightening of the cylinder screw				x	
	Tightening every part of the engine			x		
	Clean the muffler				x	
Cutting attachment	Add oil to the gear case					
	Clean the clutch				x	

AIR CLEANER

Every twenty-five hours, remove the Air Filter, then remove the sponge filter element. To avoid objects falling into the

air tank, replace the air filter cover. Wash the sponge filter element in warm soapy water, rinse and allow to dry naturally.



WARNING

Never run the engine without the sponge air filter element installed.

FUEL FILTER

Every 25 hours, take the filter out from the fuel tank for cleaning. If it is very dirty and or damaged replace with a new one.

SPARK PLUG

Spark plugs can be easily clogged by carbon deposits. You can clean the spark plug with a steel brush, the suitable clearance of sparking plug is 0.6 - 0.7 mm.

GEAR CASE

Every twenty working hours, use grease pump to add grease to the gear case from the inlet.

Blade

Every 1-2 hours, add grease to the blade. To sharpen the blades, please take it to your local LawnMaster Service Dealer.

STORAGE



CAUTION

Petrol left in the fuel tank over the winter period will become stale and as a result the engine will not start.

For long term storage and at the end of the season, the petrol tank should be

drained. Ensure that the engine is cold before draining the tank.

Allow the petrol to drain into an appropriate container (not provided). Do not store petrol for long periods of time.

Dispose excess petrol in an environmentally safe way. Your local recycling centre can advise you on the best method of disposal. Make sure the hedge trimmer has been thoroughly cleaned before storing it in a clean dry place.

WARRANTY

This product is warranted for a 3-year period for home domestic use from the date of the original purchase. This warranty does not include damage or defects to the tool caused by or resulting from abuse, accidents, alterations or commercial and or business use.

LawnMaster

Steelfort

500 Rangitikei Street
Private Bag 11045
Palmerston North, 4442, New Zealand
06 350 1350 | steelfort.co.nz

Steelfort Auckland

880 Great South Road, Penrose
Auckland, 1061, New Zealand
09 573 1324 | outlet@steelfort.co.nz



SCAN TO VIEW THE
LAWNMASTER RANGE